

# ***Yamato***<sup>®</sup>

## **Parts List**

HIGH SPEED TOP FEEDING  
CYLINDER BED INTERLOCK STITCH MACHINE

---

# **VES2700-8**

### **MODELS**

---

VES2713-2-8F  
VES2711-1-8

VES2711-1-8F

---

# パーツリストの見方

このパーツリストはVES2713-156S-2-K4N-8Fを基本モデルにしてイラストを作成しています。

パーツリストに記載されているカラーの寸法は内径×外径×幅を表わしています。

**記号の説明 (Parts No. の隣に記載されています。)**

[ ] 前回のパーツリストに対して、今回変更された部品を表わしています。

[ ] 内は旧Parts No. 及びネジ類の形状

◆ 前回のパーツリストに対して、今回追加された部品及びモデルを表わしています。

**部品注文の際のご注意**

☆ このパーツリストに記載されている部品をご注文の際は、Parts No.(例えば、3500201)でお願いします。

☆ 0068011の場合は、0068011又は68011でご注文下さい。

☆ エアチューブ御注文の際は品番と長さをお知らせ下さい。

なお、このパーツリストの記載事項は、改良により変更される場合がありますのでご了承下さい。

---

## How to use this Parts List

The illustrations on this Parts List are drawn on the basis of VES2713-156S-2-K4N-8F.

The dimension of Collar on this Parts List shows Inside diameter X Outside diameter X Width.

**Explanation of Marks (marked at the Side of Part No.)**

[ ] means this part is changed from the previous Parts List.

Inside of [ ] shows the previous Part No. and the shape of screw or the like.

◆ means this part and model is added to the previous Parts List.

**How to place an order for the parts**

☆ When placing an order for the parts from this Parts List, please clearly state the Parts No. (e.g.3500201) which you require so that we can deliver the correct Parts to you.

☆ When the Part No. is "0068011", please place an order for the part by showing "0068011" or "68011".

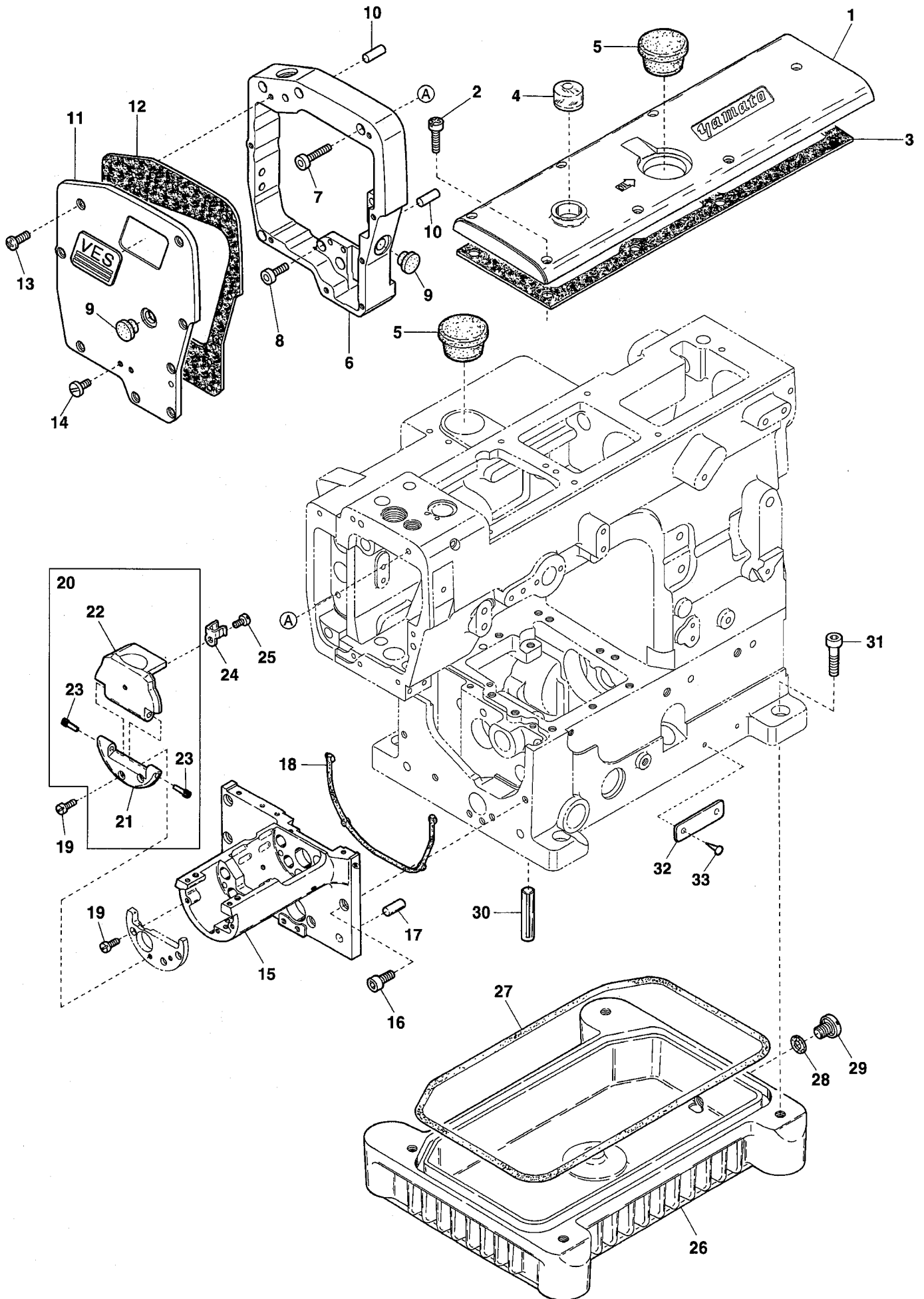
☆ When ordering Air Tube, please inform us of the Part No. and the length.

This Parts List is subject to change without notice.

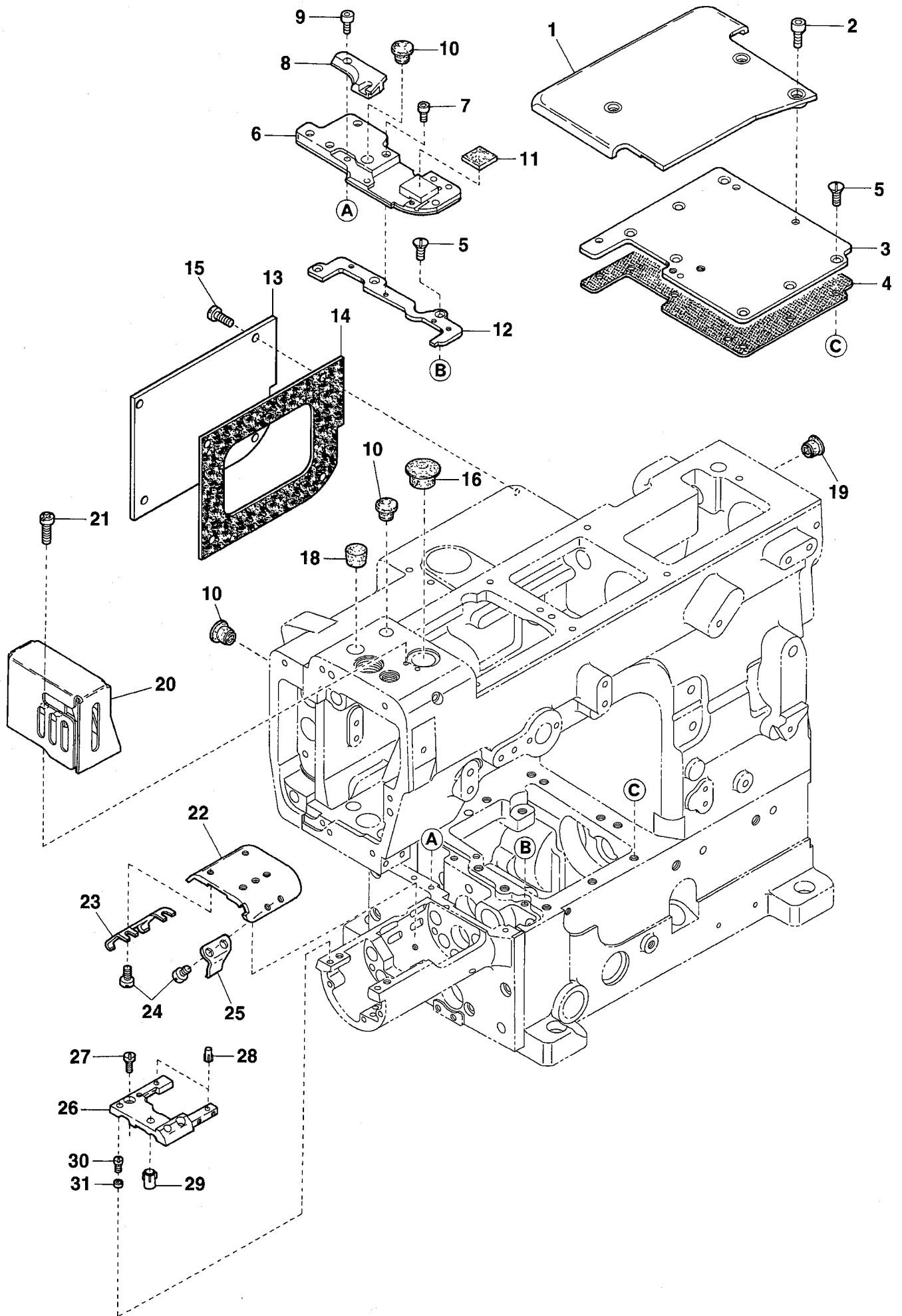
# Contents

# 目次

|   |            |    |
|---|------------|----|
| MISCELLANEOUS COVERS(1)                       | カバー関係 (1)  | 1  |
| MISCELLANEOUS COVERS(2)                       | カバー関係 (2)  | 2  |
| MISCELLANEOUS COVERS(3)                       | カバー関係 (3)  | 3  |
| MISCELLANEOUS THREAD EYELETS                  | 糸道関係       | 4  |
| MISCELLANEOUS BUSHINGS                        | ブッシュ関係     | 5  |
| NEEDLE GUARD & MAIN SHAFT DRIVING MECHANISM   | 針受ケ及び下軸機構  | 6  |
| MISCELLANEOUS LOOPER THREAD TAKE-UP           | 下糸調子カム関係   | 7  |
| UPPER SHAFT & NEEDLE THREAD TAKE-UP MECHANISM | 上軸及び針糸繰り機構 | 8  |
| NEEDLE BAR MECHANISM                          | 針棒機構       | 9  |
| PRESSER FOOT MECHANISM                        | 押工機構       | 10 |
| TOP FEED VERTICAL MECHANISM                   | 上送り上下機構    | 11 |
| TOP FEED ROCKER MECHANISM                     | 上送り前後機構    | 12 |
| TOP FEED DIFFERENTIAL MECHANISM               | 上送り差動機構    | 13 |
| SPREADER MECHANISM                            | 飾り糸ルーバ機構   | 14 |
| LOOPER DRIVING MECHANISM                      | ルーバ機構      | 15 |
| FEED DRIVING CONTROL MECHANISM                | 送り調節機構     | 16 |
| FEED DRIVING MECHANISM(1)                     | 送り機構(1)    | 17 |
| FEED DRIVING MECHANISM(2)                     | 送り機構(2)    | 18 |
| LUBRICATING MECHANISM(1)                      | 給油機構(1)    | 19 |
| LUBRICATING MECHANISM(2)                      | 給油機構(2)    | 20 |
| VES2711-156S-1-8F EXCLUSIVE PARTS             | サブモデル専用部品  | 21 |
| VES2711-156S8-1-8 EXCLUSIVE PARTS             | サブモデル専用部品  | 22 |
| VES2713-156L-2-T1N-8F EXCLUSIVE PARTS         | サブモデル専用部品  | 23 |
| THREAD STAND                                  | 糸立台        | 24 |
| WARNING LABEL                                 | 警告ラベル      | 25 |
| INDEX   | 索引         | 26 |

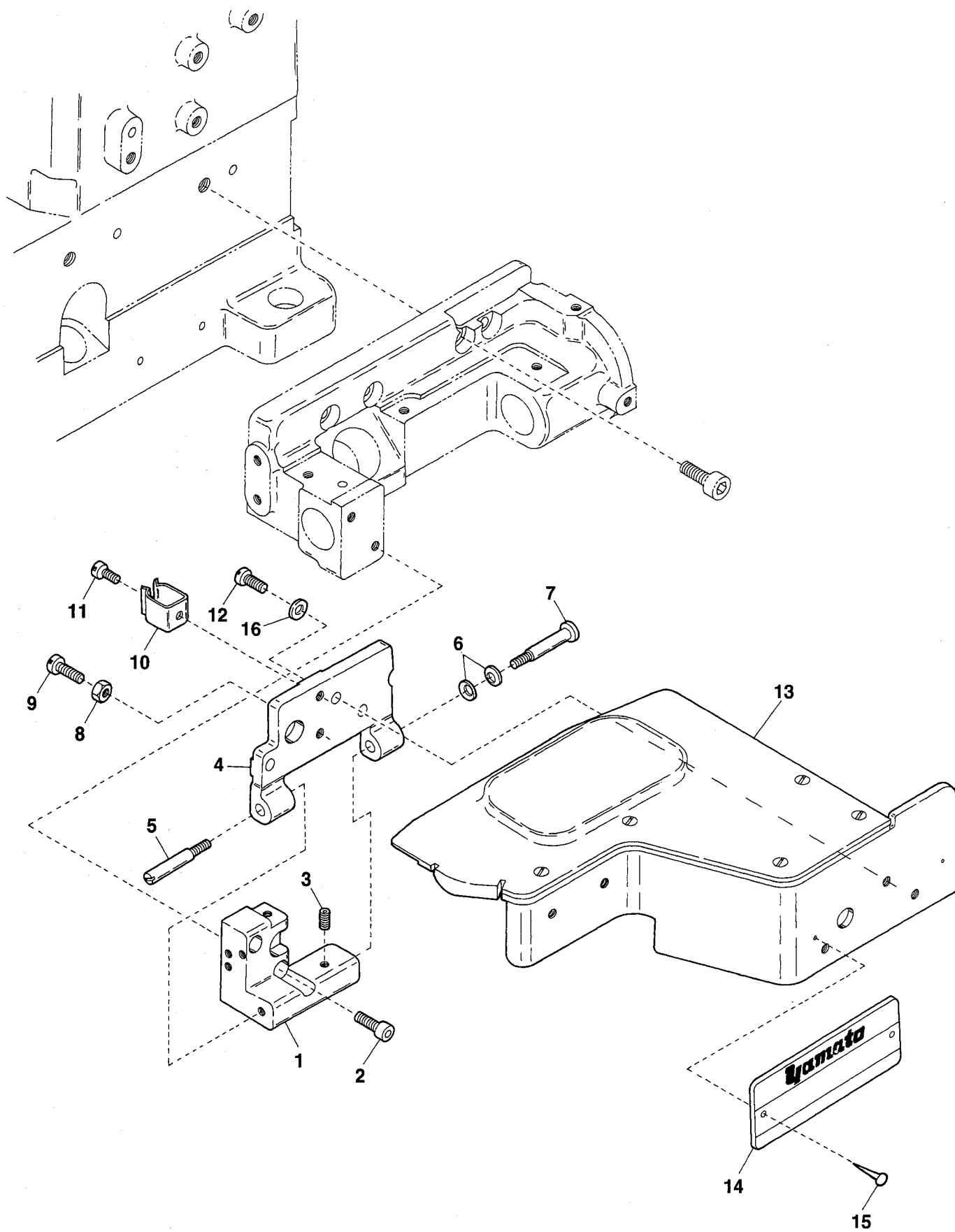


| Ref.No | Parts No. | Description                  | 品名          | Amt. Req |
|--------|-----------|------------------------------|-------------|----------|
| 1      | 3500201   | Top Cover                    | 上カバー        | 1        |
| 2      | 110045    | Screw(M4-0.7 × 12)           | 止ネジ         | 7        |
| 3      | 3500430   | Top Cover Gasket             | 上カバーパッキン    | 1        |
| 4      | 0068011   | Oil Sight Window             | オイル確認窓      | 1        |
| 5      | 0020759   | Top Cover Seal Plug          | 上カバー詰栓      | 2        |
| 6      | 3510008   | Top Feed Dog Bracket         | 上送り台ブラケット   | 1        |
| 7      | 120027    | Screw(M4-0.7 × 25)           | 止ネジ         | 4        |
| 8      | 009748    | Screw(M4-0.7 × 12)           | 止ネジ         | 2        |
| 9      | 0093864   | Seal Plug                    | 詰栓          | 2        |
| 10     | 3100207   | Pin(5 × 12mm)                | ピン          | 2        |
| 11     | 3510011   | Head Cover                   | ヘッドカバー      | 1        |
| 12     | 3510012   | Head Cover Gasket            | ヘッドカバーパッキン  | 1        |
| 13     | 110048    | Screw(M4-0.7 × 10)           | 止ネジ         | 8        |
| 14     | 110060    | Screw(M4-0.7 × 4.8)          | 止ネジ         | 2        |
| 15     | 3150004   | Cylinder                     | シリンダ        | 1        |
| 16     | 009752    | Screw(M5-0.8 × 15)           | 止ネジ         | 5        |
| 17     | 3150163   | Knock Pin                    | ノックピン       | 2        |
| 18     | 3150141   | Cylinder Gasket              | シリンダパッキン    | 1        |
| 19     | 110036    | Screw(M3-0.5 × 6.5)          | 止ネジ         | 5        |
| 20     | 3150099   | Side Cover, Complete Set     | 横開キカバー(組)   | 1        |
| 21     | 3150100   | Side Cover Hinge             | 横開キカバーヒンジ   | 1        |
| 22     | 3150101   | Side Cover                   | 横開キカバー      | 1        |
| 23     | 340034    | Side Cover Hinge Pin         | 横開キカバーヒンジピン | 2        |
| 24     | 3150119   | Cover Latch Spring           | カバーラッチバネ    | 1        |
| 25     | 009995    | Screw(M3-0.5 × 5)            | 止ネジ         | 1        |
| 26     | 3100004   | Oil Reservoir                | 油受ケ         | 1        |
| 27     | 3100005   | Oil Reservoir Gasket         | 油受ケパッキン     | 1        |
| 28     | 0020137   | Drain Hole Seal              | 油抜キネジパッキン   | 1        |
| 29     | 005075    | Screw(3/8-24 × 8)            | 油抜キネジ       | 1        |
| 30     | 340000    | Machine Frame Supporting Bar | ベッド支工棒      | 4        |
| 31     | 120016    | Screw(M8-1.25 × 20)          | 止ネジ         | 4        |
| 32     | 2049401   | Serial Number Plate          | 機番プレート      | 1        |
| 33     | 000726    | Rivet                        | 止メ鋸         | 2        |



| Ref.No | Parts No. | Description                        | 品名            | Amt. Req |
|--------|-----------|------------------------------------|---------------|----------|
| 1      | 3150103   | Cloth Plate(Large)                 | クロスプレート(大)    | 1        |
| 2      | 009748    | Screw(M4-0.7 × 12)                 | 止ネジ           | 3        |
| 3      | 3100020   | Crank Chamber Cover                | ナカカバー         | 1        |
| 4      | 3180035   | Crank Chamber Cover Gasket         | ナカカバーパッキン     | 1        |
| 5      | 130003    | Screw(M4-0.7 × 7.3)                | 止ネジ           | 10       |
| 6      | 3150105   | Machine Frame Upper Cover(Left)    | ベッド上カバー(左)    | 1        |
| 7      | 009779    | Screw(M3-0.5 × 6)                  | 止ネジ           | 7        |
| 8      | 3150102   | Cylinder Cover(Rear)               | シリンダカバー(後)    | 1        |
| 9      | 009744    | Screw(M3-0.5 × 10)                 | 止ネジ           | 2        |
| 10     | 0093864   | Seal Plug                          | 詰栓            | 3        |
| 11     | 3150129   | Rubber Plate                       | ゴムプレート        | 1        |
| 12     | 3150106   | Upper Cover Support                | ベッド上カバー取付板    | 1        |
| 13     | 3160008   | Bracket Cover                      | ブラケットカバー      | 1        |
| 14     | 3160009   | Bracket Cover Gasket               | ブラケットカバーパッキン  | 1        |
| 15     | 110045    | Screw(M4-0.7 × 12)                 | 止ネジ           | 4        |
| 16     | 3500012   | Seal Plug                          | 詰栓            | 1        |
| 17     |           |                                    |               |          |
| 18     | 0065275   | Seal Plug                          | 詰栓            | 1        |
| 19     | 0020052   | Seal Plug                          | 詰栓            | 1        |
| 20     | 3100113   | Needle Bar Guard                   | 針棒ガード         | 1        |
| 21     | 110079    | Screw(M4-0.7 × 8)                  | 止ネジ           | 2        |
| 22     | 3150095   | Cylinder Upper Cover               | シリンダ上カバー      | 1        |
| 23     | 3150097   | Cylinder Upper Cover Spring(Rear)  | シリンダ上カバーバネ(後) | 1        |
| 24     | 110091    | Screw(M3-0.5 × 3)                  | 止ネジ           | 4        |
| 25     | 3150096   | Cylinder Upper Cover Spring(Front) | シリンダ上カバーバネ(前) | 1        |
| 26     | 3150181   | Stitch Plate Support               | 針板取付板         | 1        |
| 27     | 110041    | Screw(M4-0.7 × 8)                  | 止ネジ           | 2        |
| 28     | 340036    | Knock Pin                          | ノックピン         | 2        |
| 29     | 340035    | Knock Pin                          | ノックピン         | 1        |
| 30     | 110032    | Screw(M3-0.5 × 6.5)                | 止ネジ           | 2        |
| 31     | 3150123   | Positioning Bushing                | 位置決めブッシュ      | 2        |

3

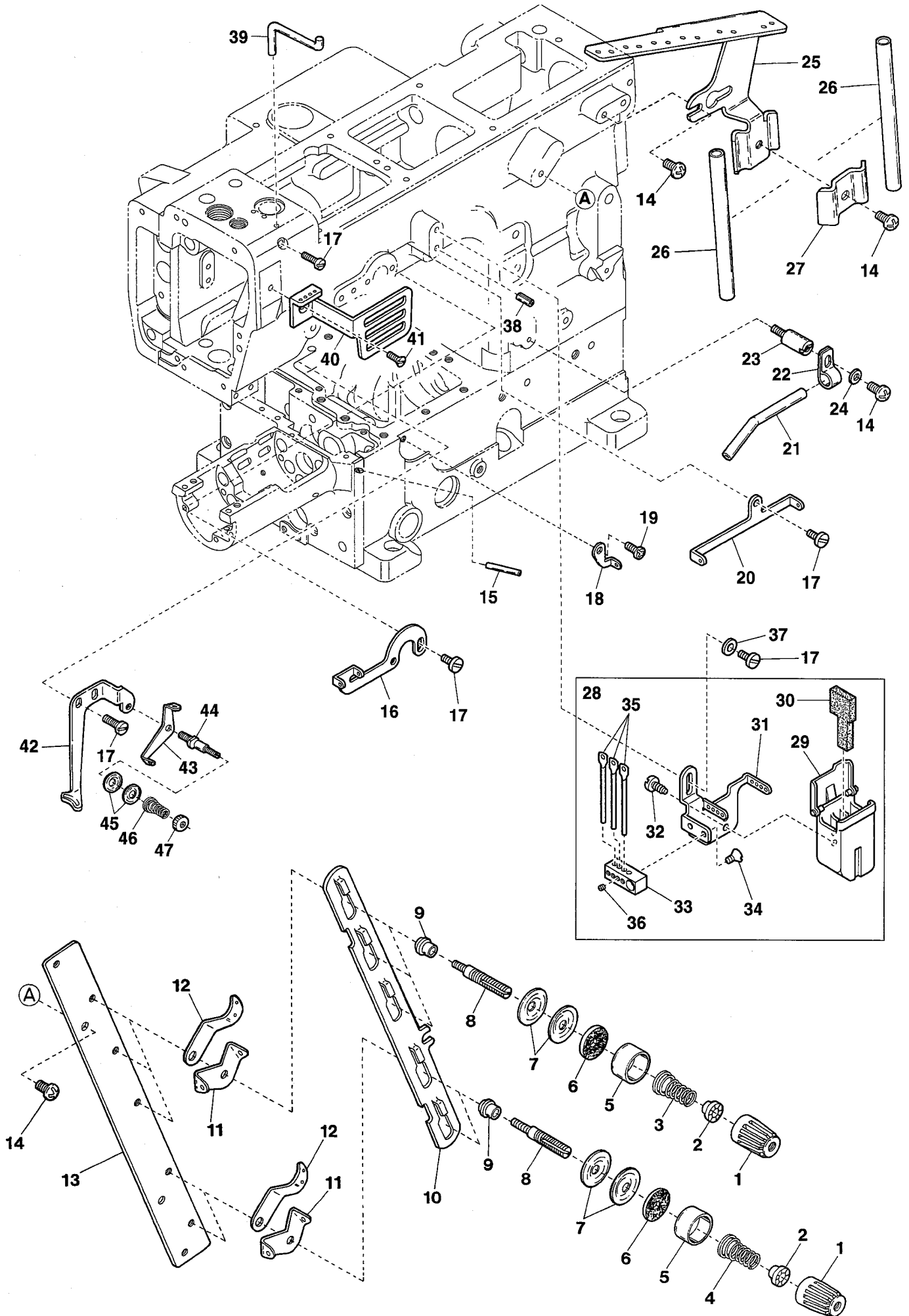




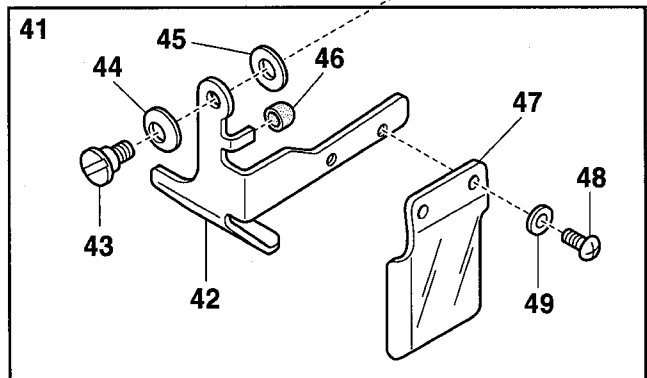
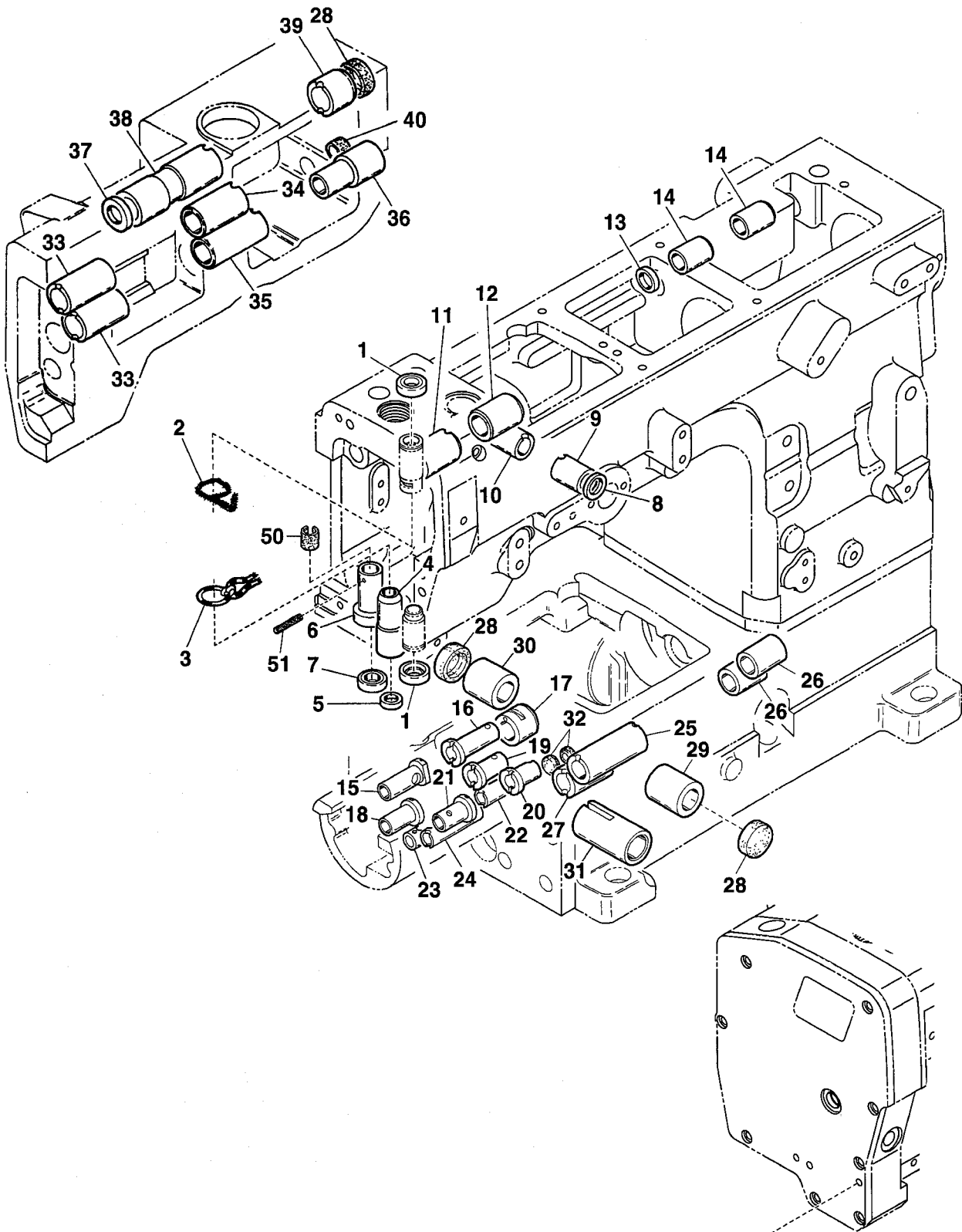
| Ref.No | Parts No. | Description                | 品 名          | Amt. Req |
|--------|-----------|----------------------------|--------------|----------|
| 1      | 3150116   | Front Cover Hinge Bracket  | 前開キカバーヒンジ取付台 | 1        |
| 2      | 120001    | Screw(M4-0.7 × 94)         | 止ネジ          | 2        |
| 3      | 160001    | Screw(M4-0.7 × 4)          | 止ネジ          | 1        |
| 4      | 3150114   | Front Cover Support        | 前開キカバー取付板    | 1        |
| 5      | 180005    | Screw(M5-0.8 × 6)          | 止ネジ          | 1        |
| 6      | 300100    | Conical Spring Washer      | 皿バネワッシャ      | 2        |
| 7      | 170001    | Screw(M4-0.7 × 8)          | 止ネジ          | 1        |
| 8      | 000022    | Nut                        | ナット          | 1        |
| 9      | 110035    | Screw(M4-0.8 × 10)         | 止ネジ          | 1        |
| 10     | 0094201   | Cover Latch Spring         | カバーラッチバネ     | 1        |
| 11     | 110012    | Screw(M4-0.7 × 5)          | 止ネジ          | 1        |
| 12     | 110048    | Screw(M4-0.7 × 10)         | 止ネジ          | 3        |
| 13     | 3150111   | Front Cover Unit           | 前開キカバー(組)    | 1        |
| 14     | 4109403   | Model Plate(See the below) | 型式板(下記参照)    | 1        |
| 15     | 000726    | Rivet                      | 止メ鋸          | 2        |
| 16     | 000538    | Washer                     | ワッシャ         | 3        |

Note : Order for Model Plate must be accompanied by model designation(including symbols of gauge and devices).

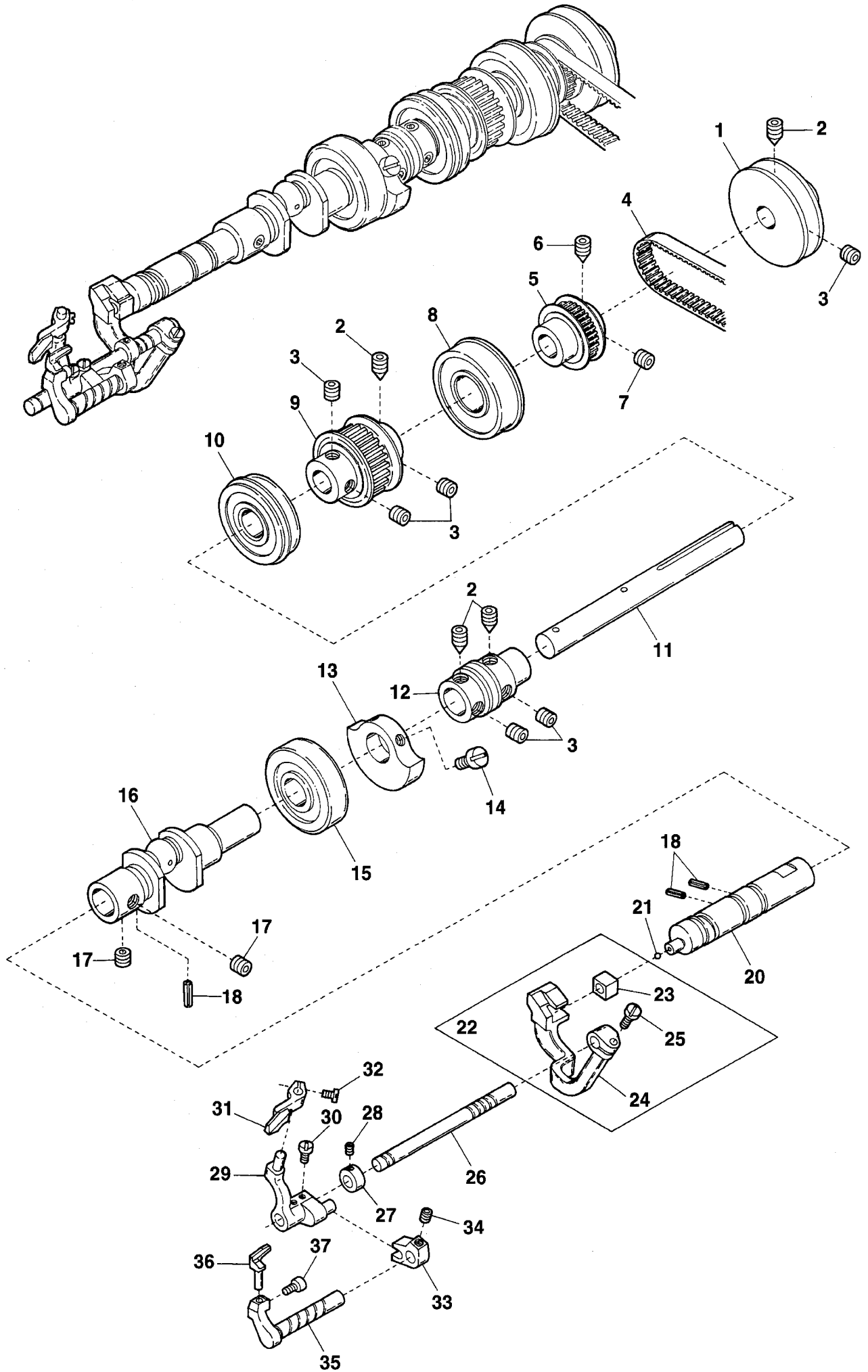
(注) 型式板を御注文の際は機種名(ゲージ記号、附帯装置含む)をお知らせください。



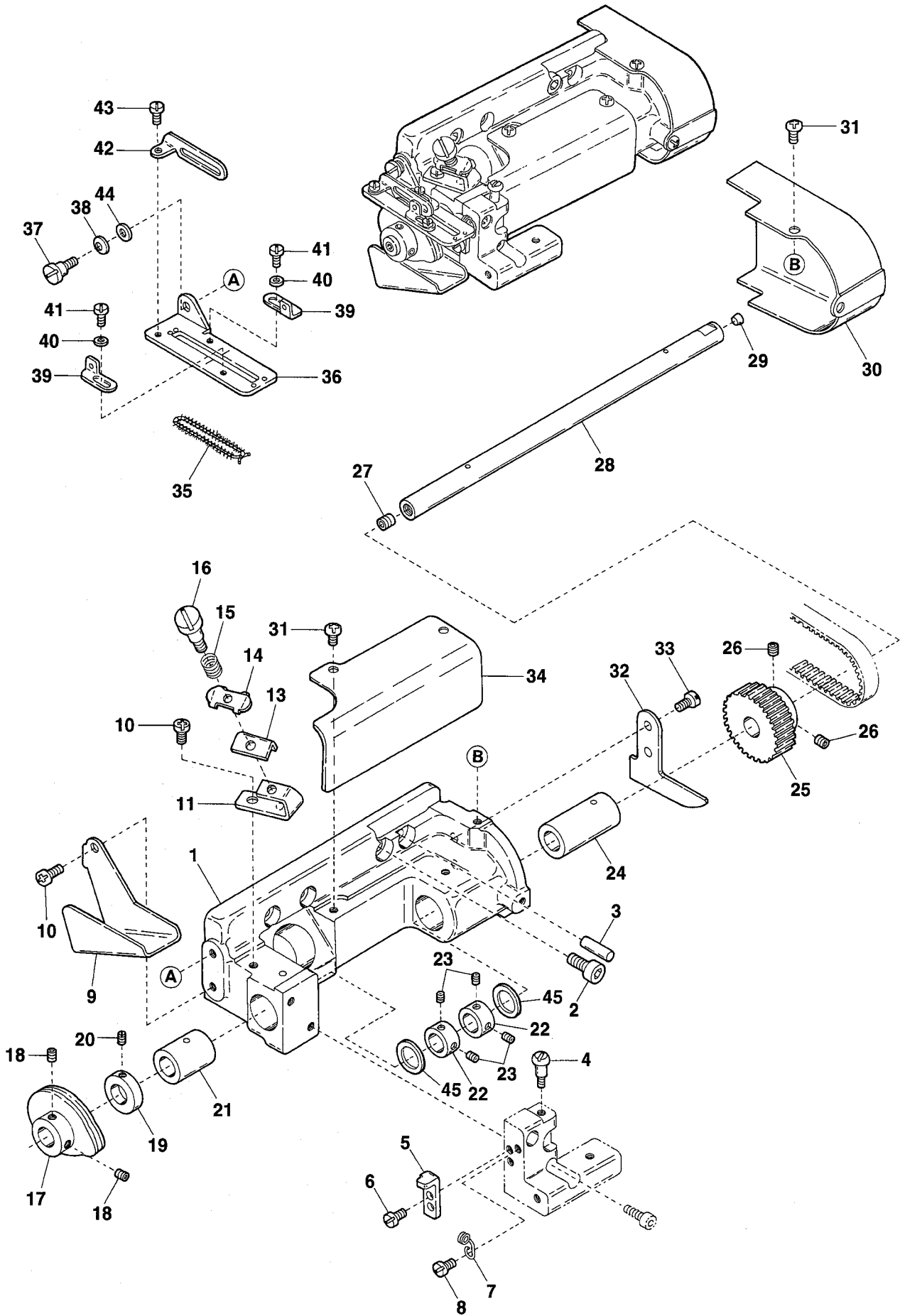
| Ref.No | Parts No. | Description                       | 品名            | Amt. Req |
|--------|-----------|-----------------------------------|---------------|----------|
| 1      | 0024084   | Thread Tension Spring Cap         | 糸調子バネキャップ(上)  | 5        |
| 2      | 0024083   | Tension Spring Bushing            | 糸調子ナット回り止メ    | 5        |
| 3      | 0030255   | Tension Spring(Needle)            | 糸調子バネ(針糸)     | 3        |
| 4      | 0032952   | Tension Spring(Looper, Top Cover) | 糸調子バネ(ルーバ、飾り) | 2        |
| 5      | 0090071   | Thread Tension Spring Retainer    | 糸調子バネキャップ(下)  | 5        |
| 6      | 000177    | Felt                              | フェルト          | 5        |
| 7      | 0031111   | Tension Disc                      | 糸調子皿          | 10       |
| 8      | 290029    | Tension Post                      | 糸調子棒          | 5        |
| 9      | 0090812   | Tension Post Ferrule              | 糸調子棒糸摺レ       | 5        |
| 10     | 3500287   | Tension Disc Separator            | 糸緩メ板          | 1        |
| 11     | 0090856   | Tension Disc Eyelet               | 糸調子皿糸道        | 5        |
| 12     | 0090807   | Thread Lead-in Guide              | 糸調子台糸道        | 5        |
| 13     | 3500286   | Tension Post Support              | 糸調子台          | 1        |
| 14     | 110013    | Screw(M4-0.7 × 8)                 | 止ネジ           | 6        |
| 15     | 3150109   | Thread Eyelet Pipe                | 糸道パイプ         | 1        |
| 16     | 3180076   | Top Cover Thread Eyelet(Left)     | 飾り糸道(左)       | 1        |
| 17     | 110009    | Screw(M4-0.7 × 8)                 | 止ネジ           | 7        |
| 18     | 0080393   | Thread Eyelet(Front)              | 前糸道           | 1        |
| 19     | 110012    | Screw(M4-0.7 × 5)                 | 止ネジ           | 1        |
| 20     | 3500489   | Top Cover Thread Eyelet(Right)    | 飾り糸道(右)       | 1        |
| 21     | 0021735   | Thread Eyelet Pipe(Long)          | 糸道パイプ(長)      | 1        |
| 22     | 0093528   | Thread Eyelet Pipe Stay           | 糸道パイプ支エ       | 3        |
| 23     | 190102    | Screw(M4-0.7 × 8)                 | 止ネジ           | 1        |
| 24     | 000538    | Washer                            | ワッシャ          | 3        |
| 25     | 3500284   | Thread Guide Plate                | 糸案内板          | 1        |
| 26     | 0020119   | Thread Eyelet Pipe(Short)         | 糸道パイプ(短)      | 2        |
| 27     | 3500285   | Thread Eyelet Pipe Holder         | 糸道パイプ押エ       | 1        |
| 28     | 3180071   | SP Device, Complete Set           | SP装置(組)       | 1        |
| 29     | 3100384   | SP Container                      | SPタンク         | 1        |
| 30     | 3100386   | Felt                              | SPフェルト        | 1        |
| 31     | 3180072   | Needle Thread Eyelet              | 針糸道           | 1        |
| 32     | 350009    | Tapping Screw(3 × 6mm)            | タッピンネジ        | 2        |
| 33     | 0068247   | Needle Thread Eyelet Holder       | 針糸道台          | 1        |
| 34     | 005431    | Screw(1/8-44 × 4.4)               | 止ネジ           | 2        |
| 35     | 0068249   | Needle Thread Eyelet              | 針糸道           | 3        |
| 36     | 003312    | Screw(1/8-44 × 3.4)               | 止ネジ           | 3        |
| 37     | 000538    | Washer                            | ワッシャ          | 1        |
| 38     | 000651    | Guide Pin                         | ガイドピン         | 1        |
| 39     | 0090068   | Needle Thread Guide               | 針糸受ケ          | 1        |
| 40     | 3180073   | Needle Thread Eyelet              | 針糸道           | 1        |
| 41     | 130003    | Screw(M4-0.7 × 4.5)               | 止ネジ           | 1        |
| 42     | 3100081   | Top Cover Thread Guide            | 飾り糸案内         | 1        |
| 43     | 0063074   | Supplementary Thread Guide        | 小調子台糸道        | 1        |
| 44     | 001818    | Tension Post                      | 糸調子棒          | 1        |
| 45     | 0037108   | Supplementary Tension Disc        | 小調子皿          | 2        |
| 46     | 0035813   | Supplementary Tension Spring      | 飾り糸調子バネ       | 1        |
| 47     | 000360    | Nut                               | ナット           | 1        |



| Ref.No | Parts No. | Description                           | 品名              | Amt. Req |
|--------|-----------|---------------------------------------|-----------------|----------|
| 1      | 3500309   | Oil Seal                              | オイルシール          | 2        |
| 2      | 310106    | Laced Wire(Φ 3 × 130mm)               | モール             | 1        |
| 3      | 000195    | Oil Wick(No. 4-175mm)                 | 油芯              | 1        |
| 4      | 3160158   | Presser Bar Bushing                   | 押エ棒ブッシュ         | 1        |
| 5      | 3204021   | Oil Seal                              | オイルシール          | 1        |
| 6      | 3100100   | Spreader Driving Bar Bushing          | 飾り糸ルーバ棒ブッシュ     | 1        |
| 7      | 0063055   | Oil Seal                              | オイルシール          | 1        |
| 8      | 3500050   | Oil Seal                              | オイルシール          | 1        |
| 9      | 3500044   | Needle Thread Take-up Bushing(Front)  | 針糸繰り軸ブッシュ(前)    | 1        |
| 10     | 3500045   | Needle Thread Take-up Bushing(Rear)   | 針糸繰り軸ブッシュ(後)    | 1        |
| 11     | 3500047   | Spreader Driving Shaft Bushing(Left)  | 飾り糸ルーバ棒ブッシュ(左)  | 1        |
| 12     | 3500048   | Spreader Driving Shaft Bushing(Right) | 飾り糸ルーバ棒ブッシュ(右)  | 1        |
| 13     | 3500041   | Oil Seal                              | オイルシール          | 1        |
| 14     | 3500046   | Foot Lifter Lever Bushing             | 押エ揚ゲ軸ブッシュ       | 2        |
| 15     | 3150007   | Feed Bar Lift Bushing(Rear/Left)      | 送り上下軸ブッシュ(後)(左) | 1        |
| 16     | 3150008   | Feed Bar Lift Bushing(Rear/Right)     | 送り上下軸ブッシュ(後)(右) | 1        |
| 17     | 3150019   | Lower Shaft Bushing                   | 下軸ブッシュ          | 1        |
| 18     | 3150013   | Feed Rocker Bushing(Left)             | 送リ前後軸ブッシュ(左)    | 1        |
| 19     | 3150012   | Feed Rocker Bushing(Right)            | 送リ前後軸ブッシュ(右)    | 1        |
| 20     | 3150009   | Feed Bar Lift Bushing(Front/Right)    | 送り上下軸ブッシュ(前)(右) | 1        |
| 21     | 3150010   | Feed Bar Lift Bushing(Front/Left)     | 送り上下軸ブッシュ(前)(左) | 1        |
| 22     | 3150016   | Needle Guard Bushing(Right)           | 針受ケ軸ブッシュ(右)     | 1        |
| 23     | 3150014   | Needle Guard Bushing(Left)            | 針受ケ軸ブッシュ(左)     | 1        |
| 24     | 3150015   | Needle Guard(Front) Bushing           | 針受ケ(前)軸ブッシュ     | 1        |
| 25     | 3150011   | Feed Bar Lift Bushing(Large/Left)     | 送り上下軸ブッシュ(大)(左) | 1        |
| 26     | 3150018   | Feed Bar Bushing(Large/Right)         | 送り軸ブッシュ(大)(右)   | 2        |
| 27     | 3150017   | Feed Rocker Bushing(Large/Left)       | 前後軸ブッシュ(大)(左)   | 1        |
| 28     | 3100006   | Seal Plug                             | 詰栓              | 3        |
| 29     | 3100092   | Looper Driving Shaft Bushing(Front)   | ルーバ軸ブッシュ(前)     | 1        |
| 30     | 3100093   | Looper Driving Shaft Bushing(Rear)    | ルーバ軸ブッシュ(後)     | 1        |
| 31     | 3150020   | Adjusting Screw Bushing               | 送り調節ネジブッシュ      | 1        |
| 32     | 2100034   | Seal Plug                             | 詰栓              | 2        |
| 33     | 3160022   | Top Feed Shaft Bushing                | 上送り軸ブッシュ        | 2        |
| 34     | 3160023   | Vertical Motion Shaft Bushing(Right)  | 上送り上下軸ブッシュ(右)   | 1        |
| 35     | 3160024   | Top Feed Rocker Shaft Bushing(Right)  | 上送り前後軸ブッシュ(右)   | 1        |
| 36     | 3160027   | Adjusting Shaft Bushing               | 前後調節軸ブッシュ       | 1        |
| 37     | 0032684   | Oil Seal                              | オイルシール          | 1        |
| 38     | 3160025   | Rocker Drive Shaft Bushing(Left)      | 前後駆動軸ブッシュ(左)    | 1        |
| 39     | 3160026   | Rocker Drive Shaft Bushing(Right)     | 前後駆動軸ブッシュ(右)    | 1        |
| 40     | 0020051   | Seal Plug                             | 詰栓              | 1        |
| 41     | 3510050   | Eye Guard, C. Set                     | アイガード(組)        | 1        |
| 42     | 3510051   | Finger Guard                          | フィンガガード         | 1        |
| 43     | 170010    | Screw(M4-0.7 × 4)                     | 止ネジ             | 1        |
| 44     | 300100    | Conical Spring Washer                 | 皿バネワッシャ         | 1        |
| 45     | 000669    | Washer                                | ワッシャ            | 1        |
| 46     | 3100272   | Cushion                               | クッション           | 1        |
| 47     | 3510052   | Eye Guard                             | アイガード           | 1        |
| 48     | 110076    | Screw(M3-0.5 × 6)                     | 止ネジ             | 2        |
| 49     | 000014    | Washer                                | ワッシャ            | 2        |
| 50     | 3500096   | Sponge                                | 給油スポンジ          | 1        |
| 51     | 000397    | Oil Wick (Φ 2 × 11mm)                 | 油芯              | 1        |

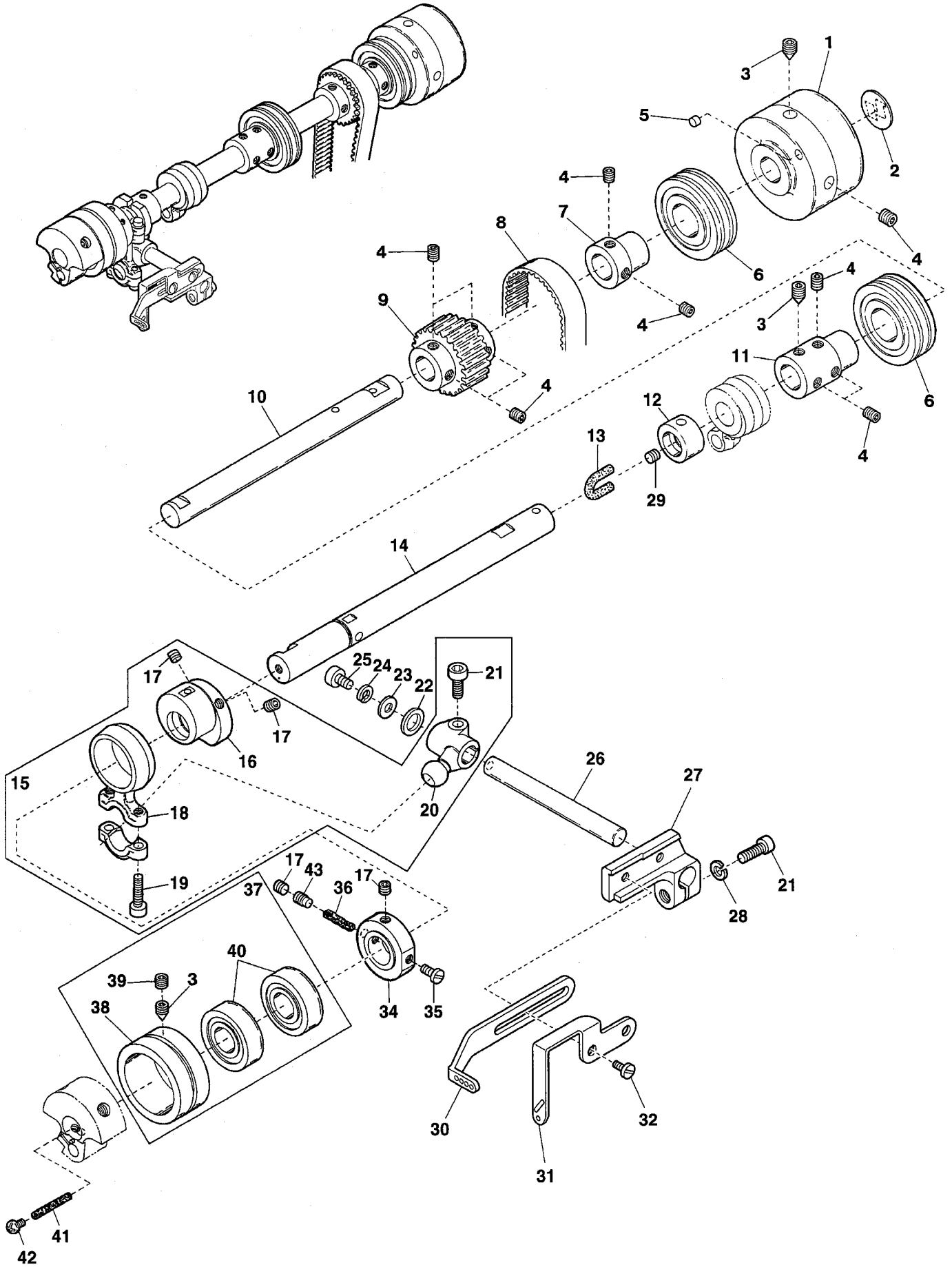


| Ref.No | Parts No. | Description                    | 品名          | Amt. Req |
|--------|-----------|--------------------------------|-------------|----------|
| 1      | 3150074   | Pulley                         | プーリ         | 1        |
| 2      | 160005    | Screw(M6-1 × 8)                | 止ネジ         | 4        |
| 3      | 160007    | Screw(M6-1 × 6)                | 止ネジ         | 6        |
| 4      | 3120070   | Timing Belt                    | タイミングベルト    | 1        |
| 5      | 3150073   | Belt Pulley(Rear)              | ベルトプーリ(後)   | 1        |
| 6      | 160021    | Screw(M5-0.8 × 6)              | 止ネジ         | 1        |
| 7      | 160009    | Screw(M5-0.8 × 5)              | 止ネジ         | 1        |
| 8      | 0093089   | Ball Bearing(Right)            | ボールベアリング(右) | 1        |
| 9      | 3260010   | Main Shaft Sprocket(Lower)     | ベルトプーリ(下)   | 1        |
| 10     | 3100131   | Ball Bearing(Middle)           | ボールベアリング(中) | 1        |
| 11     | 3150069   | Lower Shaft(Right)             | 下軸(右)       | 1        |
| 12     | 3100122   | Oil Pump Driving Worm          | ウオーム        | 1        |
| 13     | 3100127   | Counterweight(Small)           | バランスウエイト(小) | 1        |
| 14     | 110009    | Screw(M4-0.7 × 8)              | 止ネジ         | 2        |
| 15     | 3100123   | Ball Bearing(Left)             | ボールベアリング(左) | 1        |
| 16     | 3100121   | Lower Crankshaft               | 下軸クランク      | 1        |
| 17     | 160004    | Screw(M6-1 × 4.8)              | 止ネジ         | 2        |
| 18     | 001107    | Roll Pin                       | ロールピン       | 3        |
| 19     |           |                                |             |          |
| 20     | 3150183   | Lower Shaft(Left)              | 下軸(左)       | 1        |
| 21     | 000636    | Seal Plug                      | 詰栓          | 1        |
| 22     | 3150080   | Needle Guard Arm Block, C. Set | 針受ケ腕角駒(組)   | 1        |
| 23     | 3150072   | Needle Guard Arm Block         | 針受ケ腕角駒      | 1        |
| 24     | 3150081   | Needle Guard Arm               | 針受ケ腕        | 1        |
| 25     | 110035    | Screw(M4-0.7 × 10)             | 止ネジ         | 1        |
| 26     | 3150082   | Needle Guard Driving Shaft     | 針受ケ軸        | 1        |
| 27     | 3150083   | Collar(6 × 11 × 5mm)           | カラー         | 1        |
| 28     | 160000    | Screw(M3-0.5 × 3)              | 止ネジ         | 1        |
| 29     | 3150089   | Needle Guard(Rear) Holder      | 針受ケ(後)台     | 1        |
| 30     | 110060    | Screw(M4-0.7 × 5)              | 止ネジ         | 2        |
| 31     | 3159201   | Needle Guard(Rear)             | 針受ケ(後)      | 1        |
| 32     | 110036    | Screw(M3-0.5 × 6.5)            | 止ネジ         | 1        |
| 33     | 3150086   | Needle Guard(Front) Arm        | 針受ケ(前)腕     | 1        |
| 34     | 160001    | Screw(M4-0.7 × 4)              | 止ネジ         | 1        |
| 35     | 3150088   | Needle Guard(Front) Holder     | 針受ケ(前)台     | 1        |
| 36     | 3159200   | Needle Guard(Front)            | 針受ケ(前)      | 1        |
| 37     | 120048    | Screw(M3-0.5 × 3.5)            | 止ネジ         | 1        |

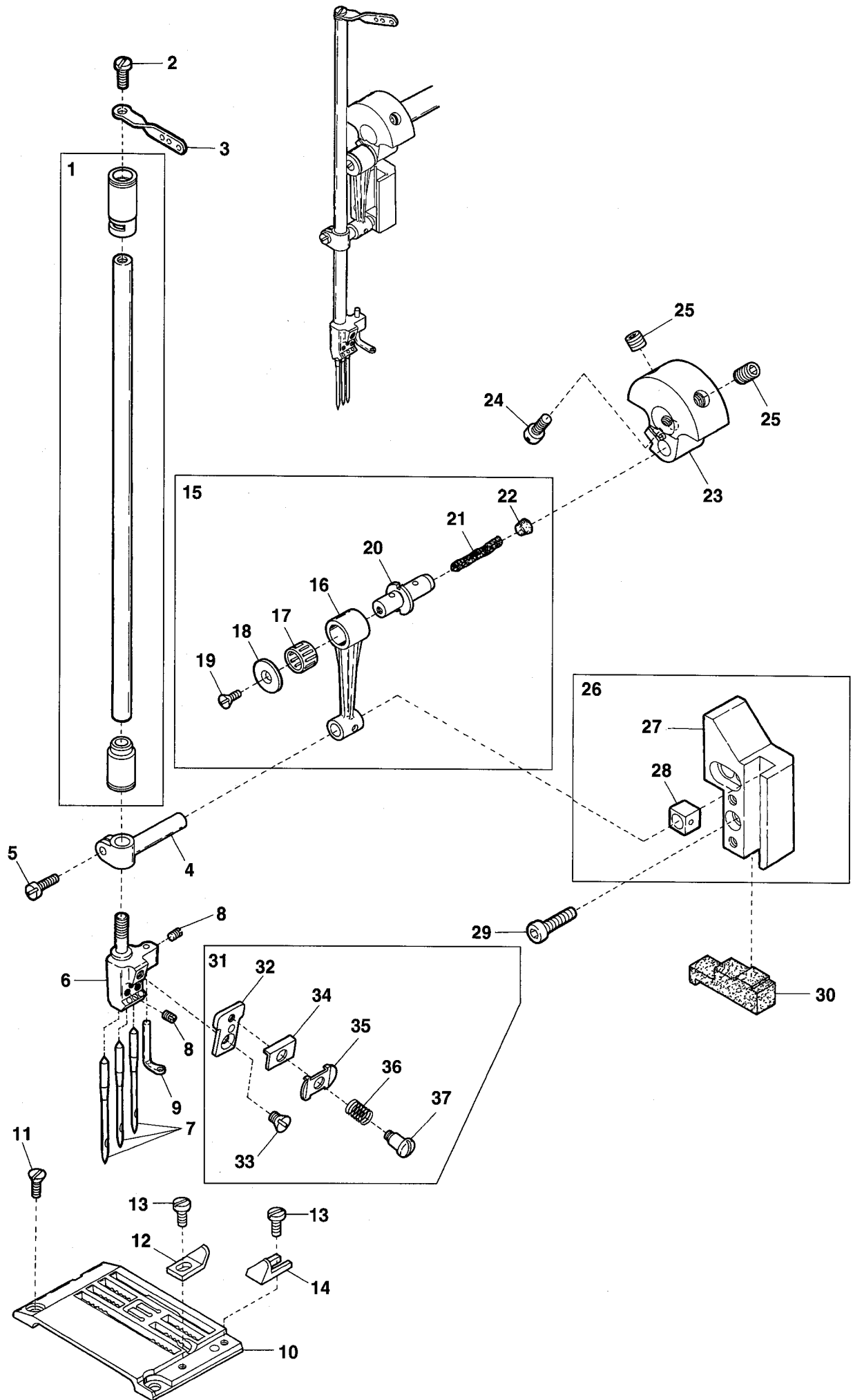




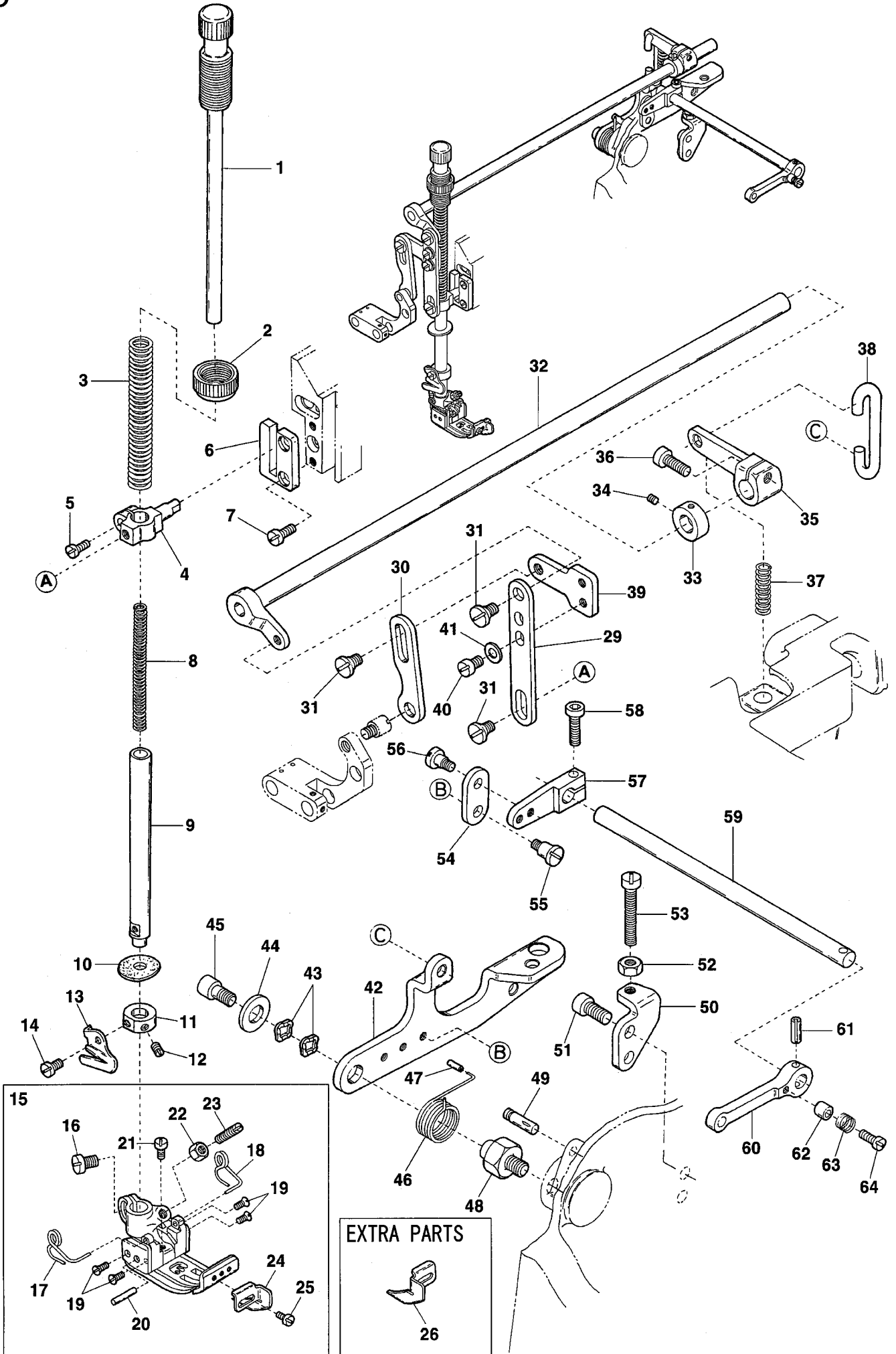
| Ref.No | Parts No. | Description                          | 品名           | Amt. Req |
|--------|-----------|--------------------------------------|--------------|----------|
| 1      | 3150005   | Take-up Shaft Bracket                | カム軸ブラケット     | 1        |
| 2      | 120013    | Screw(M4-0.7 × 8)                    | 止ネジ          | 2        |
| 3      | 000779    | Knock Pin                            | ノックピン        | 2        |
| 4      | 190005    | Screw(M4-0.7 × 5)                    | バネ掛ケネジ       | 1        |
| 5      | 3120073   | Take-up Eyelet Support Stop          | カム糸道取付板ストッパ  | 1        |
| 6      | 110041    | Screw(M4-0.7 × 8)                    | 止ネジ          | 2        |
| 7      | 3120074   | Stop Spring                          | ストップバネ       | 1        |
| 8      | 110008    | Screw(M4-0.7 × 5)                    | 止ネジ          | 1        |
| 9      | 3150122   | Looper Thread Take-up Cover          | カムカバー        | 1        |
| 10     | 110013    | Screw(M4-0.7 × 8)                    | 止ネジ          | 2        |
| 11     | 3100087   | Thread Retainer Support              | 小調子台         | 1        |
| 12     |           |                                      |              |          |
| 13     | 0036175   | Thread Retainer Disc Support         | 小調子板         | 1        |
| 14     | 0032425   | Thread Retainer Disc                 | 小調子皿         | 1        |
| 15     | 0032426   | Thread Retainer Spring               | 小調子バネ        | 1        |
| 16     | 001093    | Screw(1/8-44 × 2.2)                  | 止ネジ          | 1        |
| 17     | 3120072   | Looper Thread Take-up                | 下糸調子カム       | 1        |
| 18     | 006212    | Screw(M5-0.8 × 6)                    | 止ネジ          | 2        |
| 19     | 0032719   | Collar(10 × 16 × 6mm)                | カラー          | 1        |
| 20     | 001459    | Screw(9/64-40 × 3)                   | 止ネジ          | 1        |
| 21     | 3120060   | Take-up Shaft Bushing(Left)          | カム軸ブッシュ(左)   | 1        |
| 22     | 2100161   | Collar(10 × 19 × 9mm)                | カラー          | 2        |
| 23     | 160003    | Screw(M5-0.8 × 5)                    | 止ネジ          | 4        |
| 24     | 3120061   | Take-up Shaft Bushing(Right)         | カム軸ブッシュ(右)   | 1        |
| 25     | 3120068   | Belt Pulley(Front)                   | ベルトプーリ(前)    | 1        |
| 26     | 160007    | Screw(M6-1 × 6)                      | 止ネジ          | 2        |
| 27     | 160015    | Screw(M6-1 × 6)                      | 止ネジ          | 1        |
| 28     | 3150153   | Looper Thread Take-up Shaft          | 下糸調子カム軸      | 1        |
| 29     | 330007    | Seal Plug                            | 詰栓           | 1        |
| 30     | 3150134   | Belt Cover(Small)                    | ベルトカバー(小)    | 1        |
| 31     | 004127    | Screw(M4-0.7 × 6)                    | 止ネジ          | 4        |
| 32     | 3150120   | Belt Cover(Small/Left)               | ベルトカバー(小)(左) | 1        |
| 33     | 004127    | Screw(M4-0.7 × 6)                    | 止ネジ          | 2        |
| 34     | 3150135   | Take-up Shaft Cover                  | カム軸カバー       | 1        |
| 35     | 000463    | Laced Wire                           | モール          | 1        |
| 36     | 3150136   | Looper Thread Take-up Eyelet Support | カム糸道取付板      | 1        |
| 37     | 170010    | Screw(M4-0.7 × 4)                    | 止ネジ          | 1        |
| 38     | 300100    | Conical Spring Washer                | 皿バネワッシャ      | 1        |
| 39     | 0093515   | Thread Eyelet                        | ルーバ糸道        | 2        |
| 40     | 000535    | Washer                               | ワッシャ         | 2        |
| 41     | 110002    | Screw(M3-0.5 × 5)                    | 止ネジ          | 2        |
| 42     | 3120143   | Cast-off Plate                       | ルーバ糸案内       | 1        |
| 43     | 110054    | Screw(M3-0.5 × 3.5)                  | 止ネジ          | 1        |
| 44     | 000669    | Washer                               | ワッシャ         | 1        |
| 45     | 3160077   | Thrust Plate                         | スラストプレート     | 2        |



| Ref.No | Parts No. | Description                     | 品名         | Amt. Req |
|--------|-----------|---------------------------------|------------|----------|
| 1      | 3500051   | Handwheel                       | ハンドホイール    | 1        |
| 2      | 000989    | Handwheel Mark                  | ハンドホイールマーク | 1        |
| 3      | 160005    | Screw(M6-1 × 8)                 | 止ネジ        | 3        |
| 4      | 160007    | Screw(M6-1 × 6)                 | 止ネジ        | 10       |
| 5      | 0092305   | Magnet                          | マグネット      | 1        |
| 6      | 3500054   | Ball Bearing                    | ボールベアリング   | 2        |
| 7      | 3100129   | Handwheel Adapter               | アダプタ       | 1        |
| 8      | 3510045   | Timing Belt(550-5GT-12)         | タイミングベルト   | 1        |
| 9      | 3260011   | Upper Shaft Sprocket(Upper)     | ベルトプーリ(上)  | 1        |
| 10     | 3100275   | Upper Shaft(Right)              | 上軸(右)      | 1        |
| 11     | 3100283   | Upper Shaft Joint               | 上軸継手       | 1        |
| 12     | 3500448   | Oil Sleeve                      | オイルスリーブ    | 1        |
| 13     | 310040    | Oil Wick                        | 油芯         | 1        |
| 14     | 3510025   | Upper Shaft(Left)               | 上軸(左)      | 1        |
| 15     | 3500444   | Connecting Rod, C. Set          | 針糸繰りロッド(組) | 1        |
| 16     | 3500445   | Needle Thread Take-up Eccentric | 針糸リエキセン    | 1        |
| 17     | 160003    | Screw(M5-0.8 × 5)               | 止ネジ        | 4        |
| 18     | 3500446   | Connecting Rod                  | 針糸繰りロッド    | 1        |
| 19     | 120001    | Screw(M4-0.7 × 14)              | 止ネジ        | 2        |
| 20     | 3500066   | Driving Lever                   | 針糸繰り軸腕     | 1        |
| 21     | 120013    | Screw(M6-1 × 15)                | 止ネジ        | 2        |
| 22     | 2100218   | Driving Shaft Thrust Ring       | スラストリング    | 1        |
| 23     | 000555    | Washer                          | ワッシャ       | 1        |
| 24     | 000600    | Spring Washer                   | スプリングワッシャ  | 1        |
| 25     | 120015    | Screw(M5-0.8 × 10)              | 止ネジ        | 1        |
| 26     | 3500065   | Driving Shaft                   | 針糸繰り軸      | 1        |
| 27     | 3500492   | Bracket                         | 針糸繰り台      | 1        |
| 28     | 000667    | Spring Washer                   | スプリングワッシャ  | 1        |
| 29     | 160023    | Screw(M4-0.7 × 4)               | 止ネジ        | 1        |
| 30     | 3180070   | Needle Thread Take-up           | 針糸繰り糸道     | 1        |
| 31     | 3180075   | Top Cover Thread Take-up        | 飾り糸繰り      | 1        |
| 32     | 110009    | Screw(M4-0.7 × 8)               | 止ネジ        | 2        |
| 33     |           |                                 |            |          |
| 34     | 3500442   | Collar                          | カラー        | 1        |
| 35     | 110135    | Screw(M5-0.8 × 7)               | 止ネジ        | 1        |
| 36     | 310132    | Oil Wick(Φ 4.2 × 20mm)          | 油芯         | 1        |
| 37     | 3500062   | Upper Shaft Sleeve, C. Set      | 上軸スリーブ(組)  | 1        |
| 38     | 3500064   | Upper Shaft Sleeve              | 上軸スリーブ     | 1        |
| 39     | 160004    | Screw(M6-1 × 4.8)               | 止ネジ        | 1        |
| 40     | 0093154   | Ball Bearing                    | ボールベアリング   | 2        |
| 41     | 310099    | Oil Wick(Φ 3.3 × 30mm)          | 油芯         | 1        |
| 42     | 110067    | Screw(M5-0.8 × 5)               | 止ネジ        | 1        |
| 43     | 160041    | Screw(M5-0.8 × 8)               | 止ネジ        | 1        |

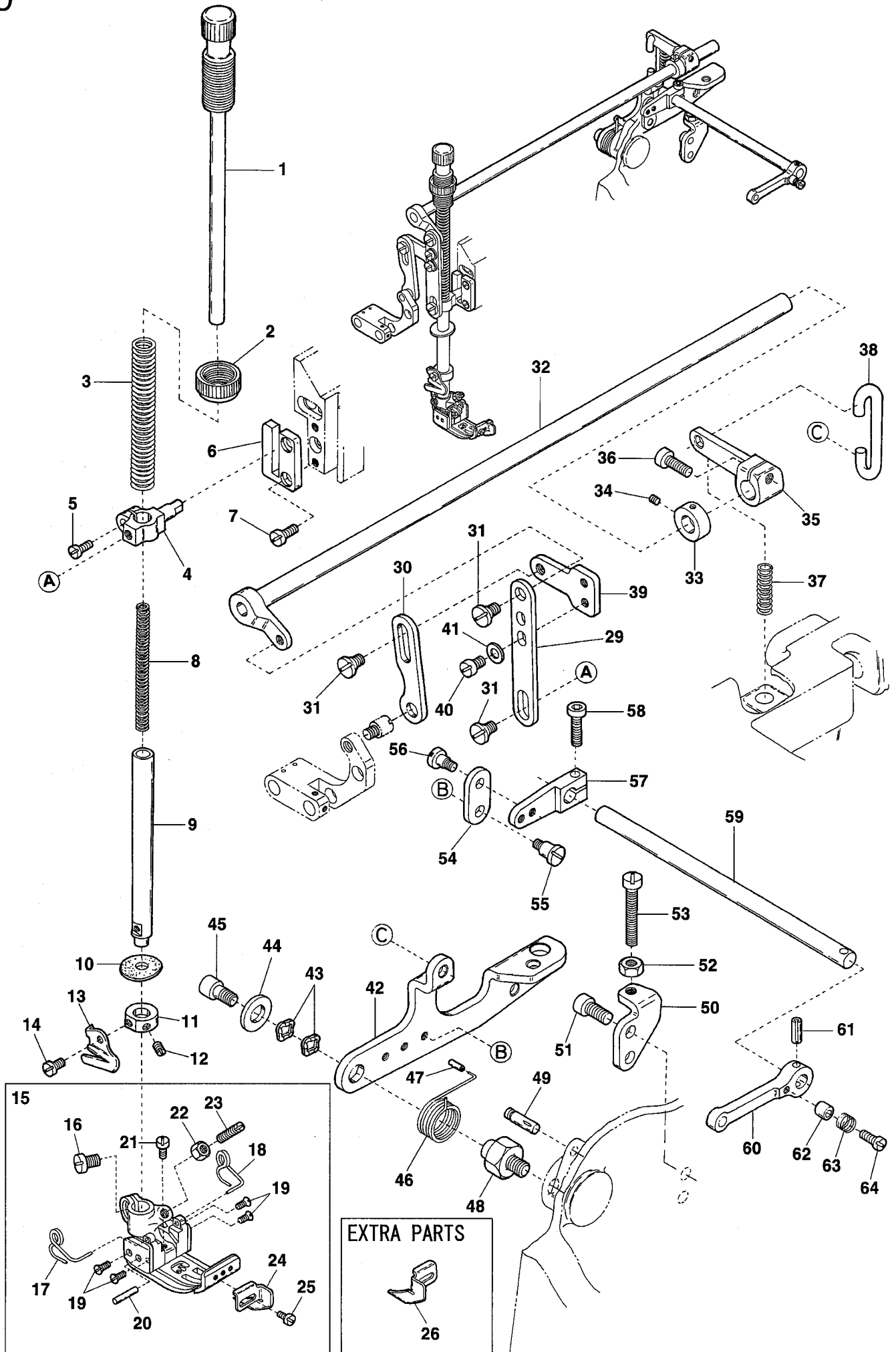


| Ref.No | Parts No. | Description                             | 品名           | Amt. Req |
|--------|-----------|---|--------------|----------|
| 1      | 3270015   | Needle Bar & Needle Bar Bushing, C. Set | 針棒・針棒ブッシュ(組) | 1        |
| 2      | 004358    | Screw(9/64-40 × 5.6)                    | 止ネジ          | 1        |
| 3      | 0063044   | Needle Bar Thread Eyelet                | 針棒糸道         | 1        |
| 4      | 3500100   | Needle Bar Bracket                      | 針棒抱キ         | 1        |
| 5      | 110035    | Screw(M4-0.7 × 10)                      | 止ネジ          | 1        |
| 6      | 0093357   | Needle Clamp(56)                        | 針止メ          | 1        |
| 7      | -----     | Needle(UY128 GAS)                       | 針            | 3        |
| 8      | 001900    | Screw(1/8-44 × 2.4)                     | 止ネジ          | 4        |
| 9      | 0093365   | Top Cover Thread Eyelet                 | 飾り糸道         | 1        |
| 10     | 3158094   | Stitch Plate(56S-2)                     | 針板           | 1        |
| 11     | 110112    | Screw(M3-0.5 × 5)                       | 止ネジ          | 2        |
| 12     | 3520012   | Fabric Guide(Left)                      | 布ガイド(左)      | 1        |
| 13     | 001228    | Screw(3/32-56 × 3.2)                    | 止ネジ          | 2        |
| 14     | 3520013   | Fabric Guide(Right)                     | 布ガイド(右)      | 1        |
| 15     | 3500091   | Connecting Rod, C. Set                  | 針棒ロッド(組)     | 1        |
| 16     | 3200112   | Connecting Rod                          | 針棒ロッド        | 1        |
| 17     | 0093212   | Roller Bearing                          | ニードルベアリング    | 1        |
| 18     | 3500617   | Eccentric Pin Plate                     | エキセンピンプレート   | 1        |
| 19     | 130002    | Screw(M3-0.5 × 6)                       | 止ネジ          | 1        |
| 20     | 3500616   | Eccentric Pin                           | 針棒エキセンピン     | 1        |
| 21     | 000309    | Felt(25 × 3 × 30mm)                     | フェルト         | 1        |
| 22     | 330000    | Seal Plug                               | 詰栓           | 1        |
| 23     | 3500615   | Counterweight                           | バランスウエイト     | 1        |
| 24     | 110011    | Screw(M5-0.8 × 10)                      | 止ネジ          | 1        |
| 25     | 160029    | Screw(M8-1.25 × 8)                      | 止ネジ          | 2        |
| 26     | 3240015   | Needle Bar Guide, C. Set                | 針棒案内(組)      | 1        |
| 27     | 3240016   | Needle Bar Guide                        | 針棒案内         | 1        |
| 28     | 0093186   | Slide Block                             | 針棒案内駒        | 1        |
| 29     | 009750    | Screw(M4-0.7 × 20)                      | 止ネジ          | 2        |
| 30     | 3100338   | Sponge                                  | 給油スポンジ       | 1        |
| 31     | 3160190   | Needle Thread Retainer Support, C. Set  | 小調子台(組)      | 1        |
| 32     | 3160191   | Needle Thread Retainer Support          | 小調子台         | 1        |
| 33     | 005341    | Screw(1/8-44 × 4.4)                     | 止ネジ          | 1        |
| 34     | 0036175   | Thread Retainer Disc Support            | 小調子板         | 1        |
| 35     | 0032425   | Needle Thread Retainer Disc             | 小調子皿         | 1        |
| 36     | 0032426   | Needle Thread Retainer Spring           | 小調子バネ        | 1        |
| 37     | 001093    | Screw(1/8-44 × 22)                      | 止ネジ          | 1        |



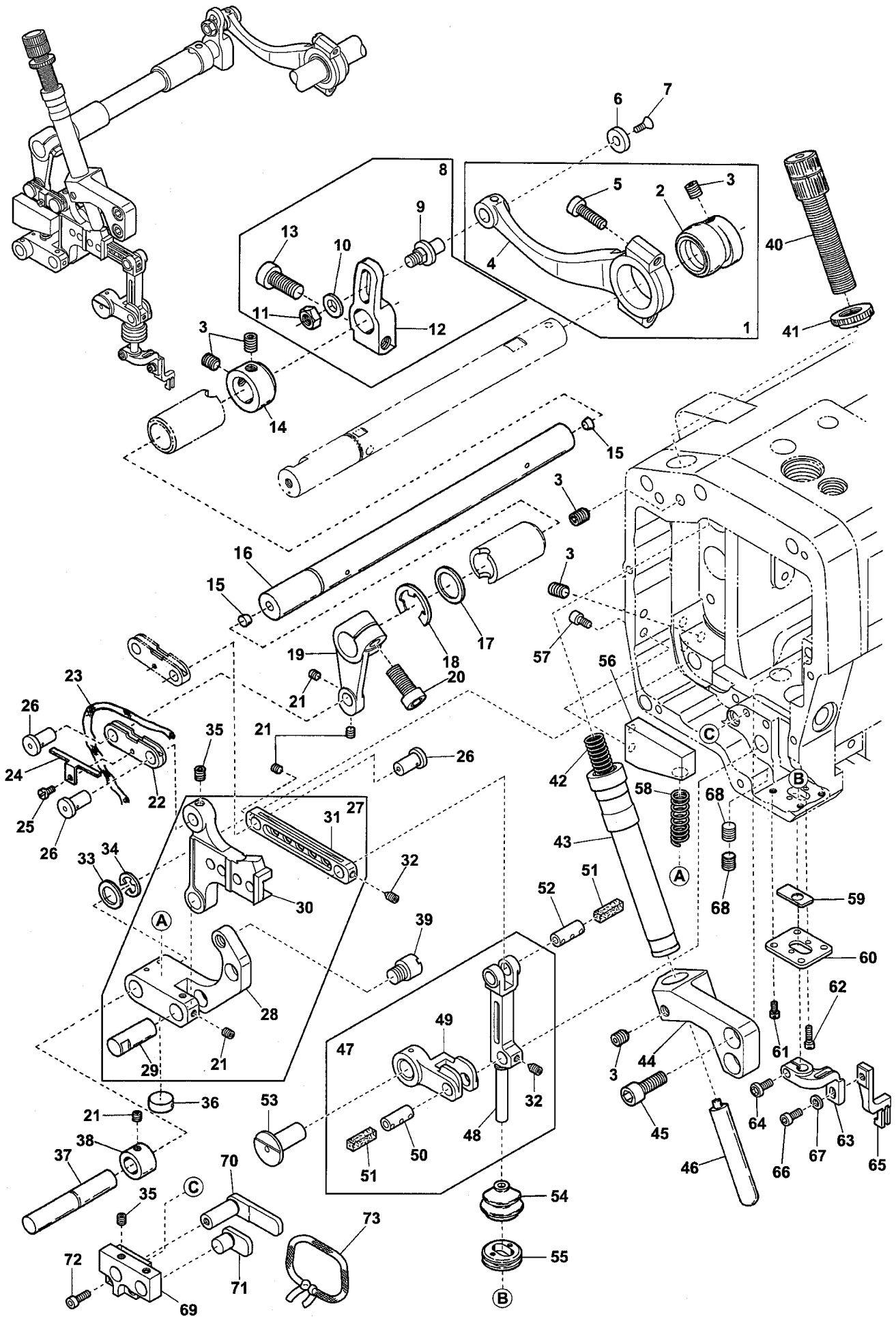
| Ref.No | Parts No. | Description                    | 品名           | Amt. Req |
|--------|-----------|--------------------------------|--------------|----------|
| 1      | 0077270   | Presser Spring Regulator       | 押工調節ネジ       | 1        |
| 2      | 000445    | Lock Nut                       | ロックナット       | 1        |
| 3      | 0065372   | Presser Bar Spring(Outer)      | 押工棒バネ(太)     | 1        |
| 4      | 3160163   | Presser Bar Connecting Bracket | 押工棒抱キ        | 1        |
| 5      | 110035    | Screw(M4-0.7 × 10)             | 止ネジ          | 1        |
| 6      | 3240026   | Presser Bar Guide              | 押工棒案内        | 1        |
| 7      | 110001    | Screw(M4-0.7 × 5.4)            | 止ネジ          | 2        |
| 8      | 0060142   | Presser Bar Spring(Inner)      | 押工棒バネ(細)     | 1        |
| 9      | 3100110   | Presser Bar                    | 押工棒          | 1        |
| 10     | 0093611   | Oil Protector Ring             | 油切りリング       | 1        |
| 11     | 3100310   | Collar(9 × 17 × 7mm)           | カラー          | 1        |
| 12     | 150001    | Screw(M4-0.7 × 4)              | 止ネジ          | 1        |
| 13     | 0020271   | Thread Chain Cutting Knife     | チェーンカッタ      | 1        |
| 14     | 110054    | Screw(M3-0.5 × 3.5)            | 止ネジ          | 1        |
| 15     | 3167054   | Presser Foot, C. Set (56)      | 押工(組)        | 1        |
| 16     | 110004    | Screw(M3.5-0.6 × 8)            | 止ネジ          | 1        |
| 17     | 3107303   | Presser Foot Spring(Left)      | 小押エバネ(左)     | 1        |
| 18     | 3107304   | Presser Foot Spring(Right)     | 小押エバネ(右)     | 1        |
| 19     | 130016    | Screw(M2.5-0.45 × 6)           | 止ネジ          | 4        |
| 20     | 3107306   | Presser Foot Hinge Pin         | 押エヒンジピン      | 1        |
| 21     | 110084    | Screw(M3.5-0.6 × 4.2)          | 止ネジ          | 1        |
| 22     | 000327    | Lock Nut                       | ロックナット       | 1        |
| 23     | 260006    | Adjusting Screw(1/8-44 × 9.5)  | 調節ネジ         | 1        |
| 24     | 3167057   | Fabric Guide                   | 布ガイド         | 1        |
| 25     | 008051    | Screw(3/32-56 × 2.8)           | 止ネジ          | 1        |
| 26     | 3167058   | Fabric Guide(Extra)            | 布ガイド(特注品)    | 1        |
| 27     |           |                                |              |          |
| 28     |           |                                |              |          |
| 29     | 3160090   | Presser Bar Lifter Link        | 押工釣り         | 1        |
| 30     | 3510063   | Guide Lifter Link              | 上送り台ガイド釣り    | 1        |
| 31     | 170041    | Screw(M5-0.8 × 3.5)            | 止ネジ          | 3        |
| 32     | 3500300   | Lifter Shaft                   | 押工揚ゲ軸        | 1        |
| 33     | 2100267   | Collar(10 × 17 × 8mm)          | カラー          | 1        |
| 34     | 160001    | Screw(M4-0.7 × 4)              | 止ネジ          | 2        |
| 35     | 3500293   | Lifter Shaft Lever             | 押工揚ゲ軸レバー     | 1        |
| 36     | 005650    | Screw(M5-0.8 × 14)             | 止ネジ          | 1        |
| 37     | 0068181   | Spring                         | バネ           | 1        |
| 38     | 3500294   | Lever Link                     | レバーリンク       | 1        |
| 39     | 3160091   | Guide Lifter Link(Upper)       | 上送り台ガイド吊り(上) | 1        |
| 40     | 110009    | Screw(M4-0.7 × 8)              | 止ネジ          | 2        |

Ref. No. 41 to 64 See the following page.



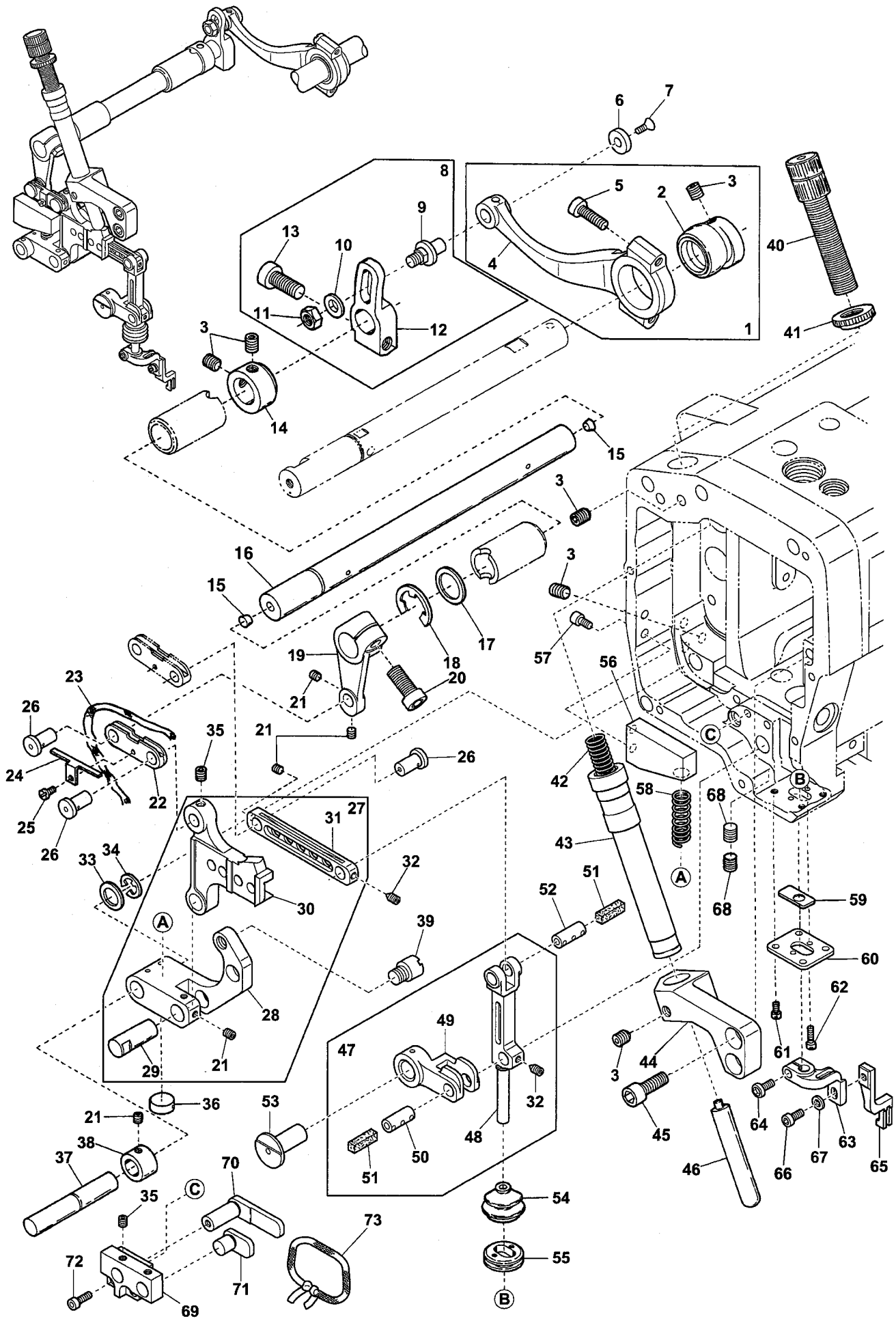


| Ref.No | Parts No. | Description                         | 品名          | Amt. Req |
|--------|-----------|-------------------------------------|-------------|----------|
| 41     | 000538    | Washer                              | ワッシャ        | 2        |
| 42     | 3500291   | Lifter Lever                        | 押工揚グレバー     | 1        |
| 43     | 000487    | Wave Washer                         | 波形ワッシャ      | 2        |
| 44     | 300005    | Washer                              | ワッシャ        | 1        |
| 45     | 120010    | Screw(M6-1 × 10)                    | 止ネジ         | 1        |
| 46     | 2110361   | Spring                              | バネ          | 1        |
| 47     | 3500305   | Cap                                 | キャップ        | 1        |
| 48     | 2100194   | Lifter Lever Holder                 | 押工揚グレバー台    | 1        |
| 49     | 340003    | Knock Pin(Φ5 × 20mm)                | ノックピン       | 1        |
| 50     | 3500295   | Lifter Lever Stopper                | 押工揚グレバーストッパ | 1        |
| 51     | 120006    | Screw(M6-1 × 12)                    | 止ネジ         | 2        |
| 52     | 000206    | Lock Nut                            | ロックナット      | 1        |
| 53     | 110021    | Screw(M5-0.8 × 18)                  | 止ネジ         | 1        |
| 54     | 3500299   | Tension Release Lever Connector     | 糸緩メ腕連結板     | 1        |
| 55     | 170038    | Screw(M4-0.7 × 5)                   | 止ネジ         | 1        |
| 56     | 170009    | Screw(M4-0.7 × 4)                   | 止ネジ         | 1        |
| 57     | 3100533   | Tension Release Lever               | 糸緩メ腕        | 1        |
| 58     | 120001    | Screw(M4-0.7 × 14)                  | 止ネジ         | 1        |
| 59     | 3500292   | Tension Release Shaft               | 糸緩メ軸        | 1        |
| 60     | 0063515   | Thread Pull-off Lever               | 糸緩メレバー      | 1        |
| 61     | 000690    | Spring Pin(4 × 16mm)                | スプリングピン     | 1        |
| 62     | 0094390   | Tension Release Adjusting Eccentric | 糸緩メ板調節コロ    | 1        |
| 63     | 0095334   | Swing-proof Spring                  | 防振バネ        | 1        |
| 64     | 001170    | Screw(9/64-40 × 12)                 | 止ネジ         | 1        |

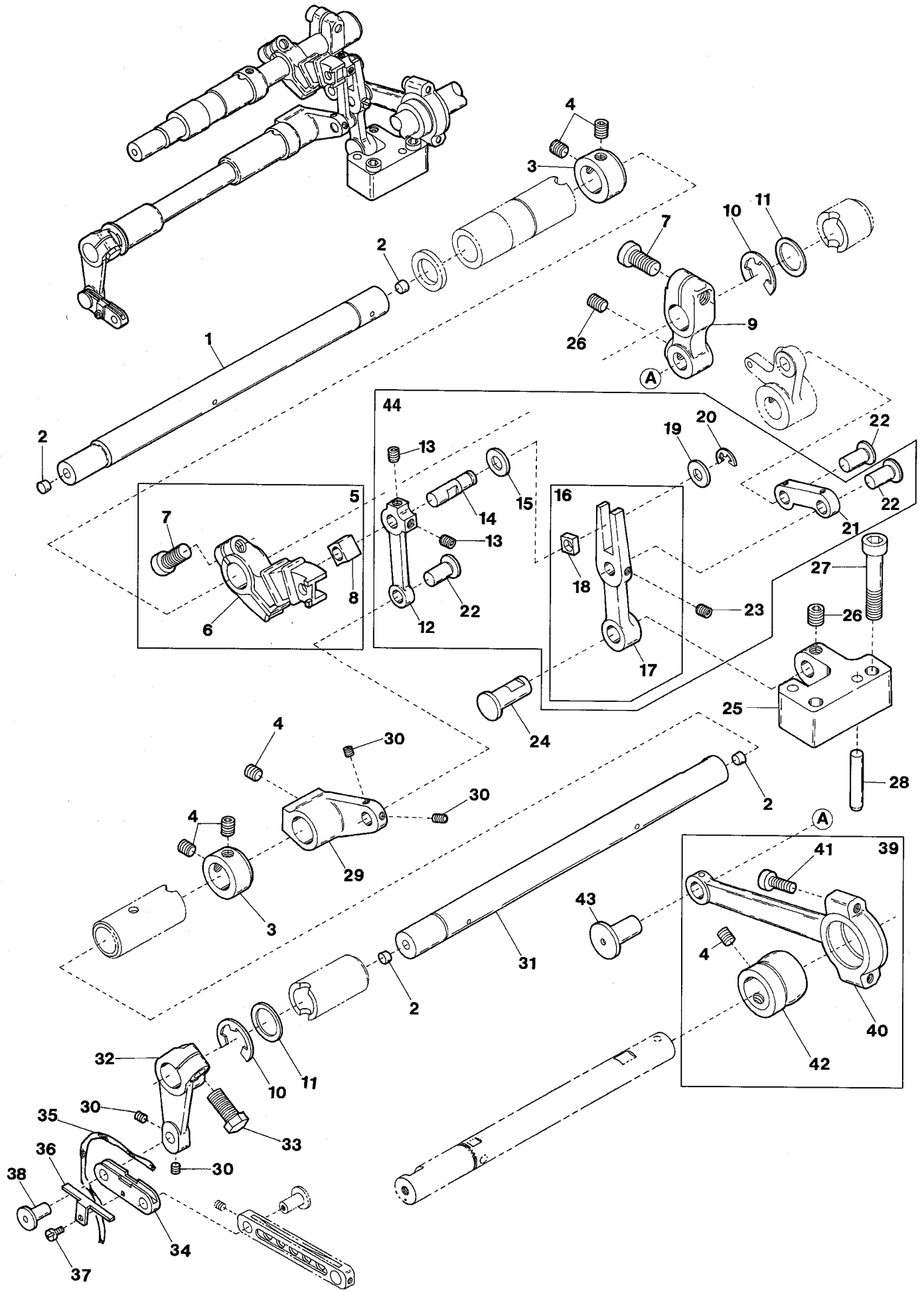


| Ref.No | Parts No. | Description                            | 品名          | Amt. Req |
|--------|-----------|--|-------------|----------|
| 1      | 3510017   | Vertical Motion Connecting Rod, C. Set | 上下ロッド(組)    | 1        |
| 2      | 3160034   | Vertical Motion Eccentric              | 上下エキセン      | 1        |
| 3      | 160003    | Screw(M5-0.8 × 5)                      | 止ネジ         | 6        |
| 4      | 3510018   | Vertical Motion Connecting Rod         | 上下ロッド       | 1        |
| 5      | 120049    | Screw(M4-0.7 × 16)                     | 止ネジ         | 2        |
| 6      | 3510029   | Connecting Rod Pin Plate               | ロッドピンプレート   | 1        |
| 7      | 130002    | Screw(M3-0.5 × 6)                      | 止ネジ         | 1        |
| 8      | 3510027   | Vertical Motion Adjusting Arm, C. Set  | 上下調節腕(組)    | 1        |
| 9      | 3510028   | Connecting Rod Pin                     | 上下ロッドピン     | 1        |
| 10     | 300000    | Washer                                 | ワッシャ        | 1        |
| 11     | 000206    | Nut                                    | ナット         | 1        |
| 12     | 3160036   | Vertical Motion Adjusting Arm          | 上下調節腕       | 1        |
| 13     | 120013    | Screw(M6-1 × 15)                       | 止ネジ         | 1        |
| 14     | 2100137   | Collar(12 × 20 × 10mm)                 | カラー         | 1        |
| 15     | 000740    | Seal Plug                              | 詰栓          | 2        |
| 16     | 3160037   | Vertical Motion Shaft                  | 上送り上下軸      | 1        |
| 17     | 3160039   | Thrust Plate                           | スラストプレート    | 1        |
| 18     | 3160038   | Retaining Ring                         | ストップリング     | 1        |
| 19     | 3510038   | Vertical Motion Rocking Arm            | 上送り上下振り腕    | 1        |
| 20     | 140004    | Screw(M6-1 × 16)                       | 止ネジ         | 1        |
| 21     | 160000    | Screw(M3-0.5 × 3)                      | 止ネジ         | 6        |
| 22     | 3510039   | Rocking Arm Link                       | 振り腕リンク      | 1        |
| 23     | 310068    | Oil Wick(No.2-120mm)                   | 油芯          | 1        |
| 24     | 3160098   | Oil Wick Presser                       | 油芯押エ        | 1        |
| 25     | 110023    | Screw(M2-0.4 × 3.5)                    | 止ネジ         | 1        |
| 26     | 3510037   | Link Pin                               | リンクピン       | 3        |
| 27     | 3510020   | Top Feed Dog Bar Guide, C. Set         | 上送り台ガイド(組)  | 1        |
| 28     | 3510021   | Top Feed Dog Bar Guide Arm             | 上送り台ガイド腕    | 1        |
| 29     | 2100288   | Guide Arm Pin                          | ガイド腕ピン      | 1        |
| 30     | 3510022   | Top Feed Dog Bar Guide                 | 上送り台ガイド     | 1        |
| 31     | 3510024   | Top Feed Dog Bar                       | 上送り台        | 1        |
| 32     | 160006    | Screw(M3-0.5 × 6)                      | 止ネジ         | 2        |
| 33     | 3160104   | Thrust Plate                           | スラストプレート    | 1        |
| 34     | 0068202   | Retaining Ring                         | ストップリング     | 1        |
| 35     | 160001    | Screw(M4-0.7 × 4)                      | 止ネジ         | 3        |
| 36     | 3160092   | Guide Stop                             | 上送り台ガイドストップ | 1        |
| 37     | 3160103   | Guide Arm Shaft                        | ガイド腕軸       | 1        |
| 38     | 3200086   | Collar(8 × 13 × 6mm)                   | カラー         | 1        |
| 39     | 180033    | Screw(M6-1 × 5)                        | 止ネジ         | 1        |
| 40     | 004272    | Adjusting Screw(M10-0.75 × 44)         | 調節ネジ        | 1        |

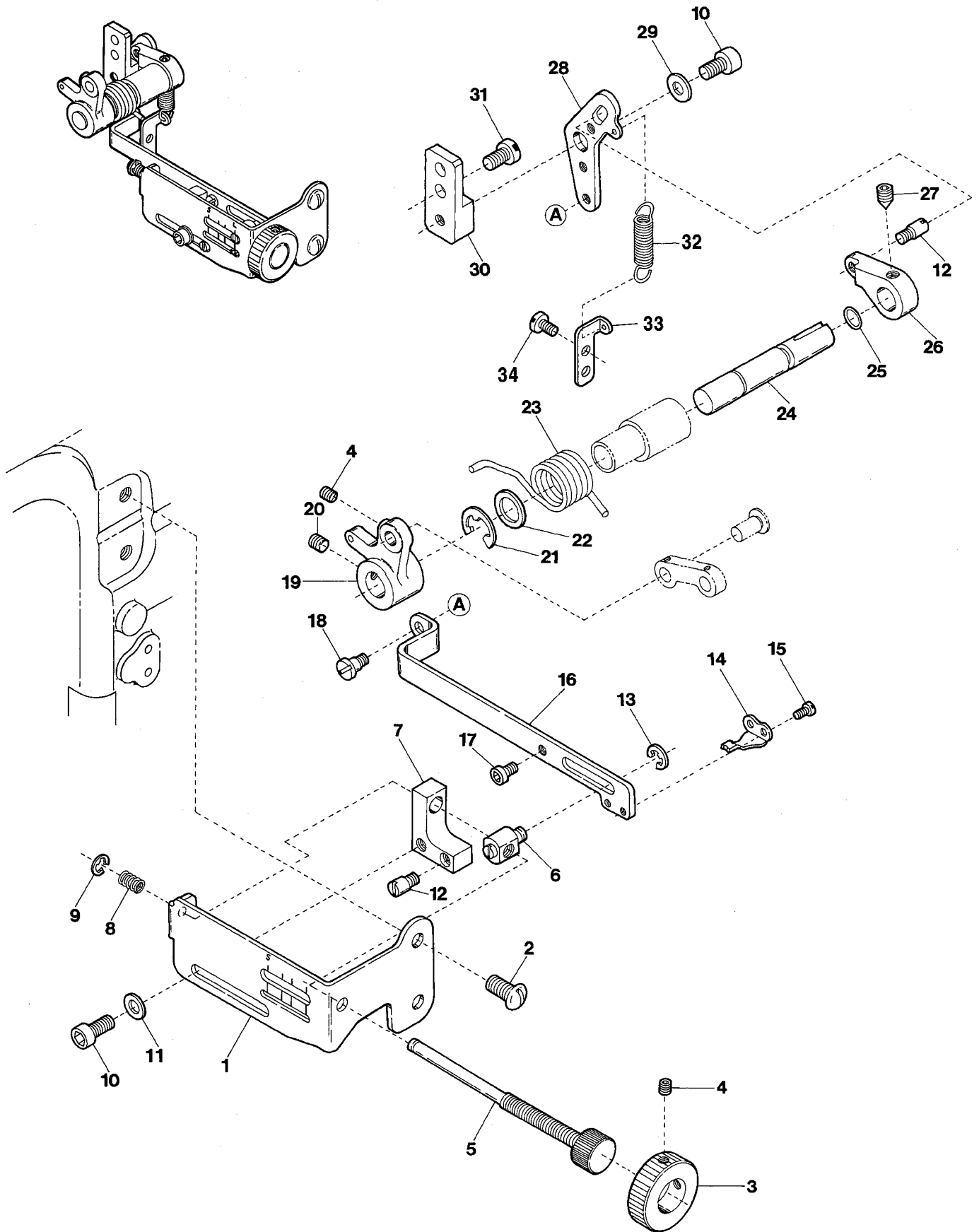
Ref. No. 41 to 73 See the following page.



| Ref.No | Parts No. | Description                     | 品名         | Amt. Req |
|--------|-----------|---------------------------------|------------|----------|
| 41     | 100007    | Lock Nut                        | ロックナット     | 2        |
| 42     | 3510062   | Top Feed Dog Press Spring       | 上送り押エバネ    | 1        |
| 43     | 3510059   | Top Feed Dog Bar Bushing        | 上送り棒ブッシュ   | 1        |
| 44     | 3510060   | Top Feed Dog Bar Bushing Holder | 上送り棒ブッシュ台  | 1        |
| 45     | 005650    | Screw(M5-0.8 × 14)              | 止ネジ        | 2        |
| 46     | 3160124   | Top Feed Dog Presser Bar        | 上送り台押エ棒    | 1        |
| 47     | 3510030   | Top Feed Dog Bar, C. Set        | 上送り棒(組)    | 1        |
| 48     | 3510031   | Top Feed Dog Bar                | 上送り棒       | 1        |
| 49     | 3510032   | Top Feed Dog Bar Link           | 上送り棒リンク    | 1        |
| 50     | 3510034   | Top Feed Dog Bar Link Pin       | 上送り棒リンクピン  | 1        |
| 51     | 000278    | Oil Wick(2.5 × 2.5 × 18mm)      | 油芯         | 2        |
| 52     | 2100176   | Top Feed Dog Bar Pin            | 上送り棒ピン     | 1        |
| 53     | 3510033   | Top Feed Dog Link Pin           | 上送りリンクピン   | 1        |
| 54     | 3160120   | Oil Leakage Proof Cover         | 防油カバー      | 1        |
| 55     | 3160114   | Cover Support                   | 防油カバーサポート  | 1        |
| 56     | 3510040   | Spring Holder                   | バネ受け台      | 1        |
| 57     | 009747    | Screw(M4-0.7 × 10)              | 止ネジ        | 2        |
| 58     | 3510041   | Auxiliary Top Feed Dog Spring   | 上送り補助バネ    | 1        |
| 59     | 3160116   | Top Feed Dog Bar Seal           | 上送り棒シール    | 1        |
| 60     | 3510057   | Seal Support                    | シールサポート    | 1        |
| 61     | 110002    | Screw(M2-0.4 × 5)               | 止ネジ        | 4        |
| 62     | 110115    | Screw(M2-0.4 × 8.5)             | 止ネジ        | 2        |
| 63     | 3510035   | Top Feed Dog Holder             | 上送り取付台     | 1        |
| 64     | 190077    | Screw(M4-0.7 × 10)              | 止ネジ        | 1        |
| 65     | 3519012   | Top Feed Dog                    | 上送り        | 1        |
| 66     | 009779    | Screw(M3-0.5 × 6)               | 止ネジ        | 1        |
| 67     | 000014    | Washer                          | ワッシャ       | 1        |
| 68     | 160007    | Screw(M5-0.8 × 6)               | 止ネジ        | 2        |
| 69     | 3510043   | Guid Bracket                    | ガイドブラケット   | 1        |
| 70     | 3510044   | Top Feed Dog Bar Guid(Right)    | 上送り棒ガイド(右) | 1        |
| 71     | 3160109   | Top Feed Dog Bar Guid(Left)     | 上送り棒ガイド(左) | 1        |
| 72     | 120001    | Screw(M4-0.7 × 14)              | 止ネジ        | 2        |
| 73     | 310035    | Oil Wick                        | 油芯         | 1        |

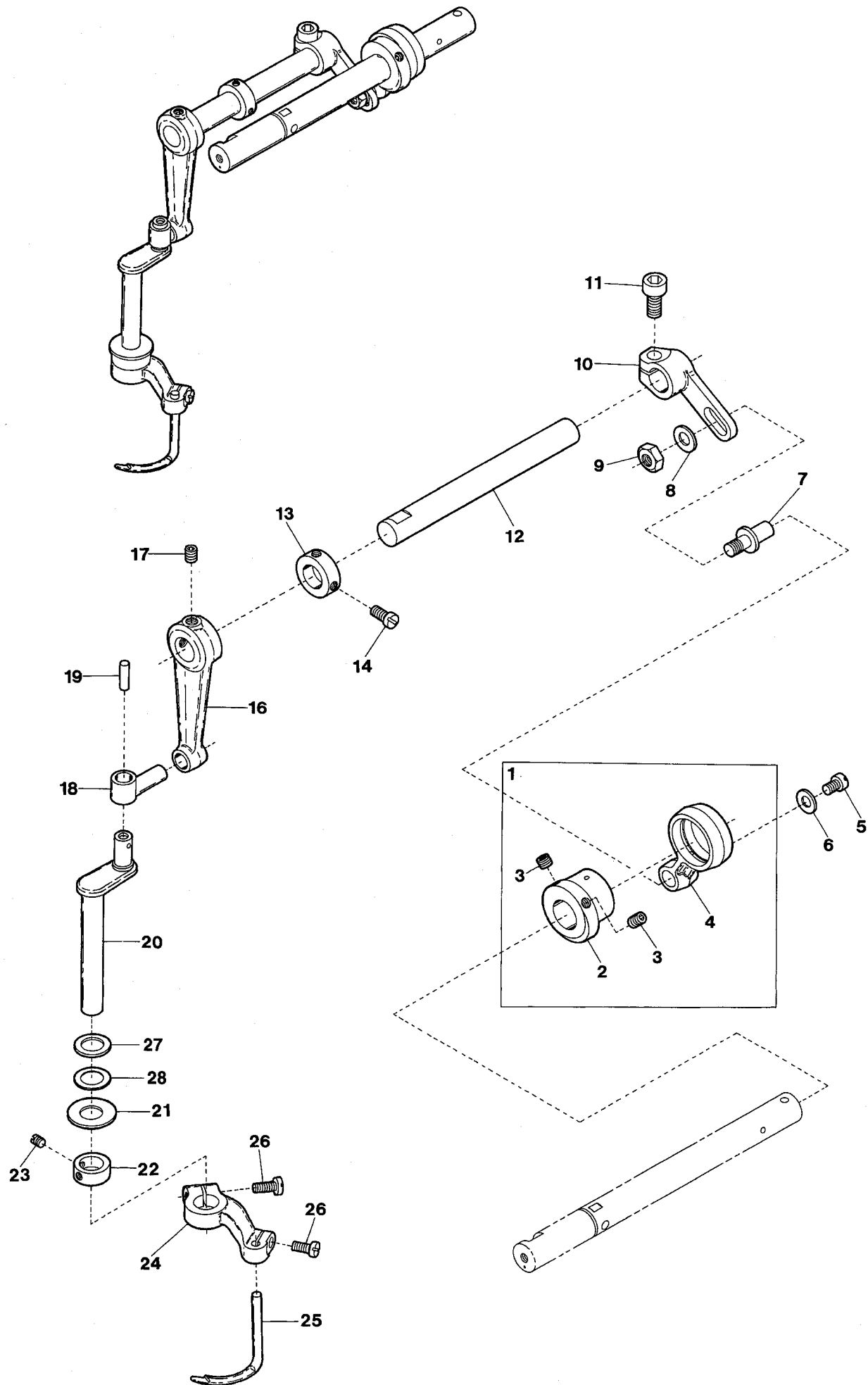


| Ref.No | Parts No. | Description                    | 品名          | Amt. Req |
|--------|-----------|--------------------------------|-------------|----------|
| 1      | 3160173   | Top Feed Rocker Drive Shaft    | 上送り前後駆動軸    | 1        |
| 2      | 000740    | Seal Plug                      | 詰栓          | 4        |
| 3      | 2100137   | Collar(12 × 20 × 10mm)         | カラー         | 2        |
| 4      | 160003    | Screw(M5-0.8 × 5)              | 止ネジ         | 8        |
| 5      | 3160056   | Top Feed Arm, Complete Set     | 上送り調節腕(組)   | 1        |
| 6      | 3160057   | Top Feed Regulator Arm         | 上送り調節腕      | 1        |
| 7      | 120013    | Screw(M6-1 × 15)               | 止ネジ         | 2        |
| 8      | 3160058   | Slider                         | スライダ        | 1        |
| 9      | 3160051   | Rocker Shaft Lever             | 上送り前後軸腕     | 1        |
| 10     | 3160038   | Retaining Ring                 | ストップリング     | 2        |
| 11     | 3160039   | Thrust Plate                   | スラストプレート    | 2        |
| 12     | 3160064   | Top Feed Rocker Arm Link       | 前後送り腕リンク    | 1        |
| 13     | 160001    | Screw(M4-0.7 × 4)              | 止ネジ         | 2        |
| 14     | 2120082   | Slider Pin                     | スライダピン      | 1        |
| 15     | 0026413   | Spacer                         | スペーサ        | 1        |
| 16     | 3160061   | Slider Lever, C. Set           | スライダレバー(組)  | 1        |
| 17     | 3160062   | Slider Lever                   | スライダレバー     | 1        |
| 18     | 0026099   | Slider Lever Block             | 角駒          | 1        |
| 19     | 2120083   | Spacer                         | スペーサ        | 1        |
| 20     | 0033024   | Retaining Ring                 | ストップリング     | 1        |
| 21     | 3160063   | Slider Link                    | スライダリンク     | 1        |
| 22     | 0026081   | Link Pin                       | リンクピン       | 3        |
| 23     | 160030    | Screw(M3.5-0.6 × 3)            | 止ネジ         | 1        |
| 24     | 3160071   | Slider Lever Pin               | スライダレバーピン   | 1        |
| 25     | 3160070   | Slider Lever Holder            | スライダレバー台    | 1        |
| 26     | 160007    | Screw(M6-1 × 6)                | 止ネジ         | 2        |
| 27     | 009977    | Screw(M6-1 × 30)               | 止ネジ         | 2        |
| 28     | 3100207   | Pin(5 × 12mm)                  | ピン          | 2        |
| 29     | 3160065   | Top Feed Rocker Arm(Right)     | 上送り前後腕(右)   | 1        |
| 30     | 160000    | Screw(M3-0.5 × 3)              | 止ネジ         | 4        |
| 31     | 3160066   | Top Feed Rocker Shaft          | 上送り前後軸      | 1        |
| 32     | 3510023   | Top Feed Rocking Arm           | 上送り前後振り腕    | 1        |
| 33     | 140004    | Screw(M6-1 × 16)               | 止ネジ         | 1        |
| 34     | 3510039   | Rocking Arm Link               | 振り腕リンク      | 1        |
| 35     | 310068    | Oil Wick(No.2-120mm)           | 油芯          | 1        |
| 36     | 3160098   | Oil Wick Presser               | 油芯押エ        | 1        |
| 37     | 110023    | Screw(M2-0.4 × 3.5)            | 止ネジ         | 1        |
| 38     | 3510037   | Link Pin                       | リンクピン       | 1        |
| 39     | 3160049   | Driving Connecting Rod, C. Set | 上送り前後ロッド(組) | 1        |
| 40     | 3160050   | Driving Connecting Rod         | 上送り前後ロッド    | 1        |
| 41     | 120049    | Screw(M4-0.7 × 16)             | 止ネジ         | 2        |
| 42     | 3160054   | Top Feed Eccentric             | 送りエキセン      | 1        |
| 43     | 3160052   | Top Feed Dog Link Pin          | 上送りリンクピン    | 1        |
| 44     | 3160060   | Slider Lever, C. Set 2         | スライダレバー(組2) | 1        |

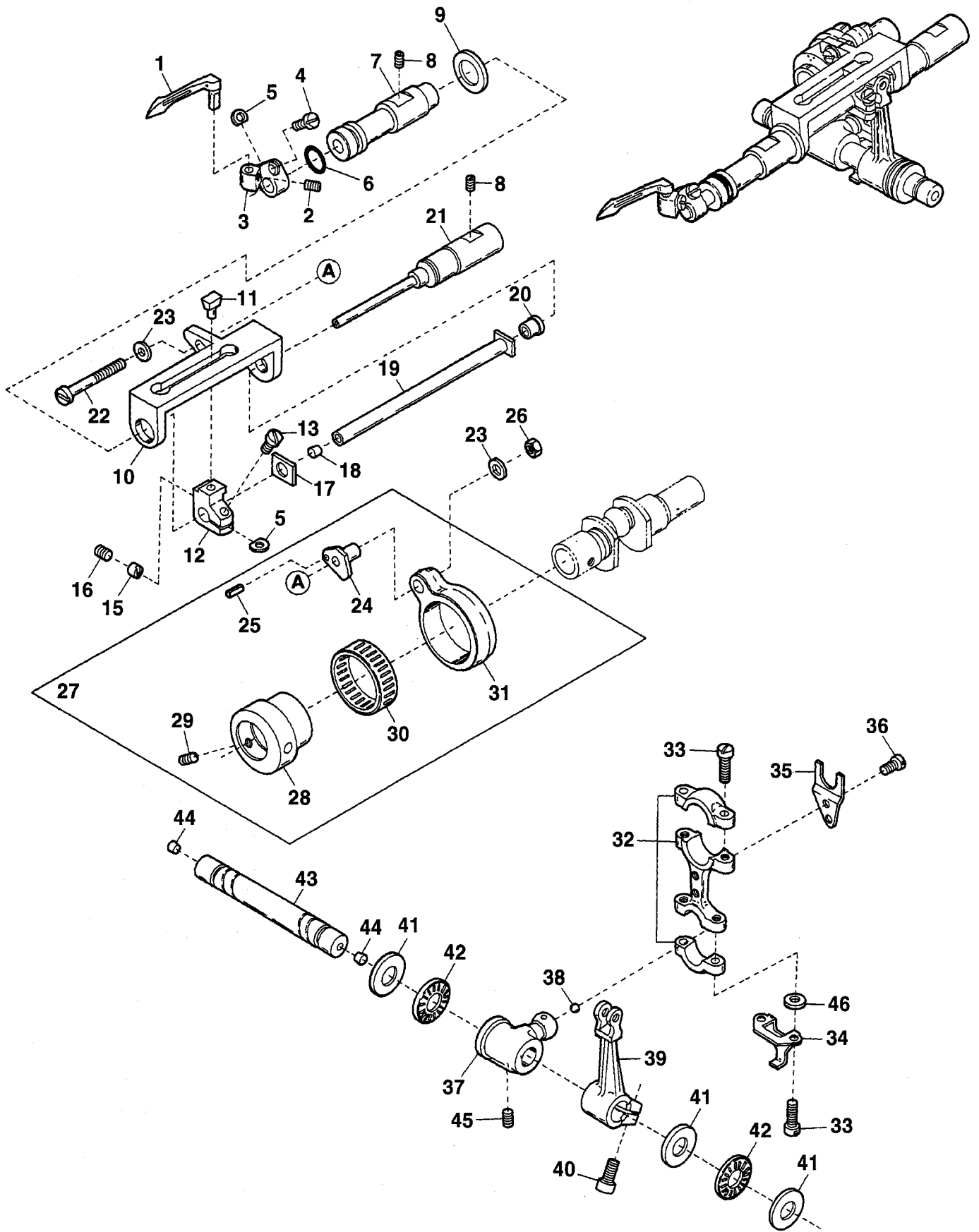




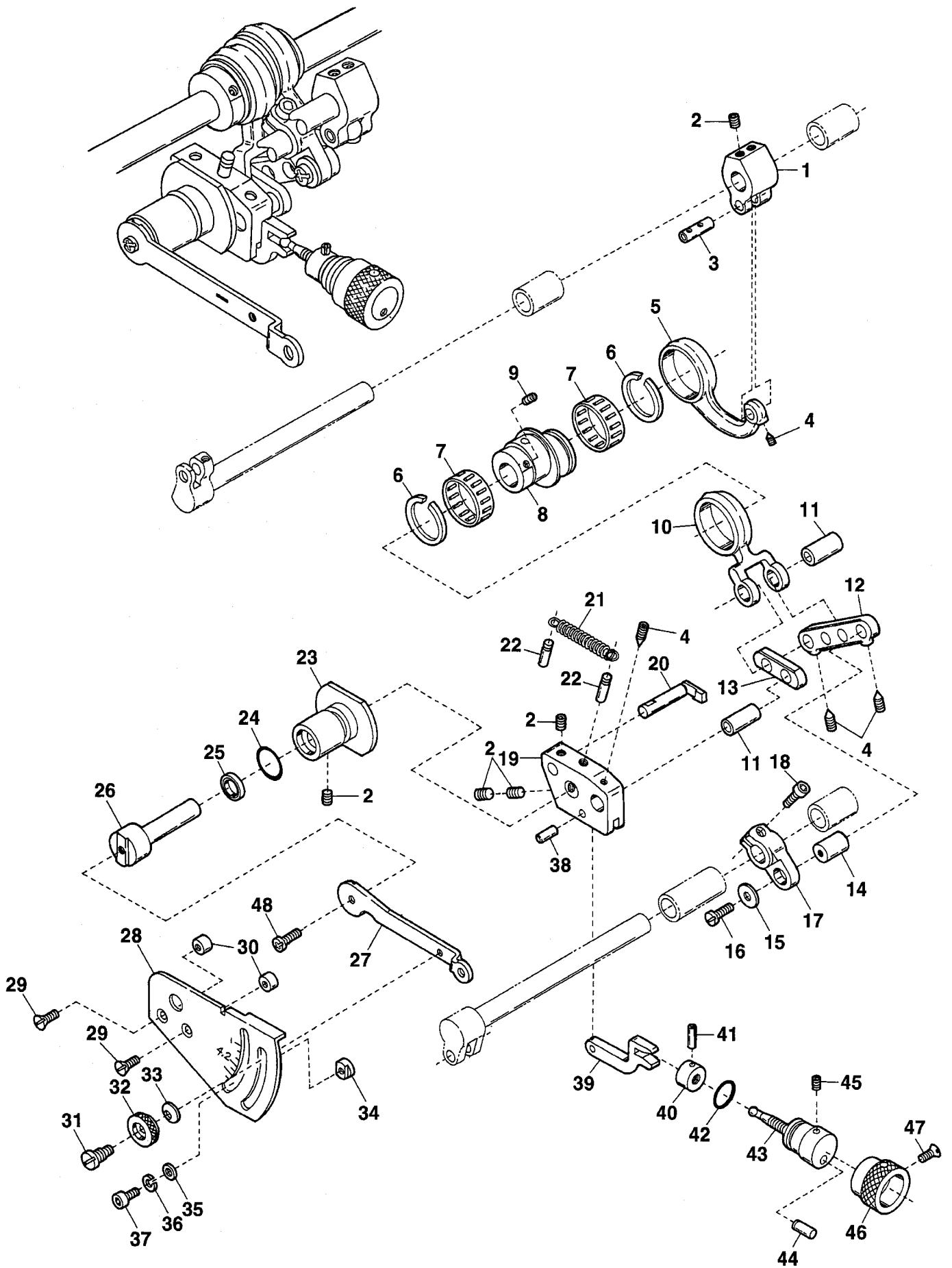
| Ref.No | Parts No. | Description                   | 品名          | Amt. Req |
|--------|-----------|-------------------------------|-------------|----------|
| 1      | 3160085   | Differential Feed Graduations | 上送り目盛板      | 1        |
| 2      | 009784    | Screw(M6-1 × 10)              | 止ネジ         | 2        |
| 3      | 3160086   | Adjusting Knob                | 調節ツマミ       | 1        |
| 4      | 160001    | Screw(M4-0.7 × 4)             | 止ネジ         | 3        |
| 5      | 3240091   | Adjusting Screw               | 調節ネジ        | 1        |
| 6      | 3240087   | Adjusting Pin                 | 調節ピン        | 1        |
| 7      | 3160088   | Stop Block                    | ストップブロック    | 1        |
| 8      | 2100259   | Adjusting Spring              | 調節バネ        | 1        |
| 9      | 0034293   | Retaining Ring                | ストップリング     | 1        |
| 10     | 009751    | Screw(M5-0.8 × 10)            | 止ネジ         | 2        |
| 11     | 000669    | Washer                        | ワッシャ        | 1        |
| 12     | 180012    | Screwed Pin(M4-0.7 × 3)       | ピンネジ        | 2        |
| 13     | 0077179   | Retaining Ring                | ストップリング     | 1        |
| 14     | 3240086   | Differential Feed Pointer     | 上送り量指針      | 1        |
| 15     | 110054    | Screw(M3-0.5 × 3.5)           | 止ネジ         | 2        |
| 16     | 3160084   | Adjusting Outer Link          | 上送り前後外リンク   | 1        |
| 17     | 006202    | Screw(M4-0.7 × 6)             | 止ネジ         | 1        |
| 18     | 170010    | Screw(M4-0.7 × 4)             | 止ネジ         | 1        |
| 19     | 3160073   | Slider Link Lever             | スライダリンクレバー  | 1        |
| 20     | 160003    | Screw(M5-0.8 × 5)             | 止ネジ         | 2        |
| 21     | 0095027   | Retaining Ring                | ストップリング     | 1        |
| 22     | 3160077   | Thrust Plate                  | スラストプレート    | 1        |
| 23     | 3160074   | Adjusting Lever Spring        | レバーバネ       | 1        |
| 24     | 3160076   | Adjusting Shaft               | 前後調節軸       | 1        |
| 25     | 0020538   | O-ring(P7)                    | Oリング        | 1        |
| 26     | 3160080   | Top Feed Dog Adjusting Lever  | 上送り前後レバー    | 1        |
| 27     | 160021    | Screw(M5-0.8 × 6)             | 止ネジ         | 1        |
| 28     | 3160082   | Adjusting Lever Hinge         | 上送り前後レバーヒンジ | 1        |
| 29     | 000426    | Washer                        | ワッシャ        | 1        |
| 30     | 3160081   | Hinge Holder                  | ヒンジ台        | 1        |
| 31     | 110011    | Screw(M5-0.8 × 10)            | 止ネジ         | 2        |
| 32     | 0085710   | Spring                        | バネ          | 1        |
| 33     | 3510055   | Spring Latch                  | バネ掛ケ        | 1        |
| 34     | 110094    | Screw(M4-0.7 × 6)             | 止ネジ         | 2        |



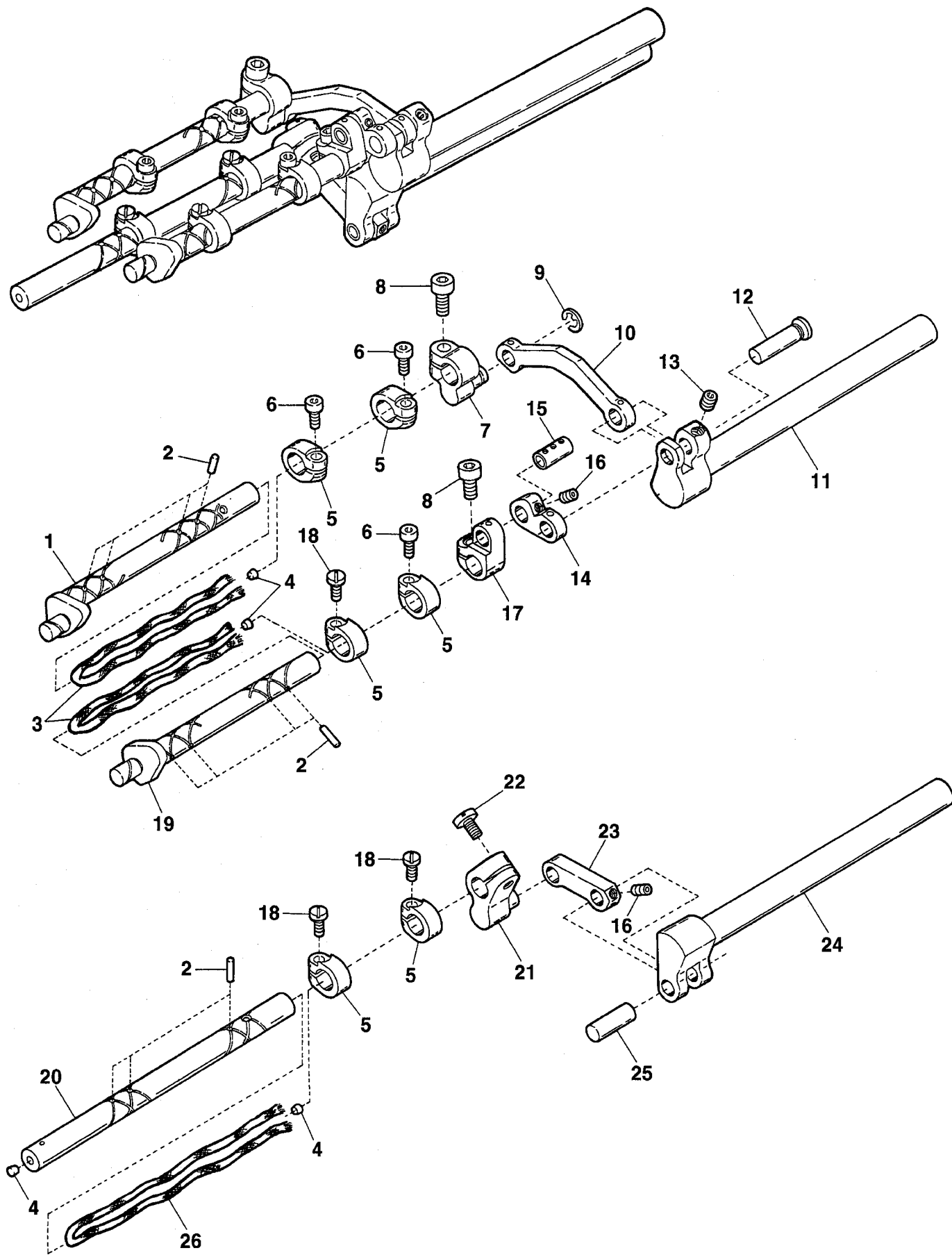
| Ref.No | Parts No. | Description                | 品名         | Amt. Req |
|--------|-----------|----------------------------|------------|----------|
| 1      | 3500081   | Spreader Eccentric, C. Set | 飾リエキセン(組)  | 1        |
| 2      | 3500082   | Spreader Eccentric         | 飾リエキセン     | 1        |
| 3      | 160003    | Screw(M5-0.8 × 5)          | 止ネジ        | 2        |
| 4      | 3500084   | Spreader Connecting Rod    | 飾リロッド      | 1        |
| 5      | 110009    | Screw(M4-0.7 × 8)          | 止ネジ        | 1        |
| 6      | 300006    | Washer                     | ワッシャ       | 1        |
| 7      | 3100309   | Adjusting Lever Pin        | 調節レバーピン    | 1        |
| 8      | 000528    | Washer                     | ワッシャ       | 1        |
| 9      | 100003    | Nut(M6-1.0)                | ナット        | 1        |
| 10     | 3500086   | Spreader Adjusting Lever   | 飾り調節レバー    | 1        |
| 11     | 120013    | Screw(M6-1 × 15)           | 止ネジ        | 1        |
| 12     | 3160138   | Driving Shaft              | ルーパ軸       | 1        |
| 13     | 0032646   | Collar(12 × 20 × 8mm)      | カラー        | 1        |
| 14     | 009604    | Screw(11/64-40 × 5.5)      | 止ネジ        | 2        |
| 15     |           |                            |            |          |
| 16     | 3100305   | Rocking Arm                | ルーパ振り腕     | 1        |
| 17     | 160007    | Screw(M6-1 × 6)            | 止ネジ        | 2        |
| 18     | 0063051   | Rocking Pin                | ルーパ振りピン    | 1        |
| 19     | 310094    | Oil Wick(φ 3.3 × 15mm)     | 油芯         | 1        |
| 20     | 0063053   | Spreader Bar               | ルーパ棒       | 1        |
| 21     | 0063056   | Bushing Ring               | ブッシュリング    | 1        |
| 22     | 0063057   | Collar(10 × 18 × 7mm)      | カラー        | 1        |
| 23     | 009526    | Screw(9/64-40 × 4.4)       | 止ネジ        | 2        |
| 24     | 3100307   | Spreader Holder            | 飾り系ルーパ台    | 1        |
| 25     | 3509320   | Spreader                   | 飾り系ルーパ     | 1        |
| 26     | 110031    | Screw(M4-0.7 × 12)         | 止ネジ        | 2        |
| 27     | 2100218   | Thrust Ring                | スラストリング    | 1        |
| 28     | 3500097   | Thrust Sheet(Small)        | スラストシート(小) | 1        |



| Ref.No | Parts No. | Description                          | 品名          | Amt. Req |
|--------|-----------|--------------------------------------|-------------|----------|
| 1      | 3109300   | Looper                               | ルーパ         | 1        |
| 2      | 160040    | Screw(M4-0.7 × 5)                    | 止ネジ         | 1        |
| 3      | 3150170   | Looper Holder                        | ルーパ台        | 1        |
| 4      | 110039    | Screw(M3.5-0.6 × 10)                 | 止ネジ         | 1        |
| 5      | 300500    | Spacer(Fiber)                        | スペーサ(ファイバ)  | 2        |
| 6      | 3100205   | O-ring(P12)                          | Oリング        | 1        |
| 7      | 3150060   | Looper Bar Bushing                   | ルーパ棒ブッシュ    | 1        |
| 8      | 160024    | Screw(M6-1 × 8)                      | 止ネジ         | 2        |
| 9      | 3100156   | Bushing Spacer                       | ブッシュスペーサ    | 1        |
| 10     | 3100152   | Looper Bar Guide                     | ルーパ棒ガイド     | 1        |
| 11     | 3100157   | Slider                               | スライダ        | 1        |
| 12     | 3100158   | Slider Holder                        | スライダ取付台     | 1        |
| 13     | 110005    | Screw(M3.5-0.6 × 12)                 | 止ネジ         | 1        |
| 14     |           |                                      |             |          |
| 15     | 3100159   | Slider Presser                       | スライダ押し      | 1        |
| 16     | 160001    | Screw(M4-0.7 × 4)                    | 止ネジ         | 1        |
| 17     | 3100160   | Thrust Washer                        | スラストワッシャ    | 1        |
| 18     | 330002    | Seal Plug(Cork)                      | 詰栓(コルク)     | 1        |
| 19     | 3100161   | Looper Bar                           | ルーパ棒        | 1        |
| 20     | 3100153   | Guide Shaft Bushing                  | ガイド軸ブッシュ    | 1        |
| 21     | 3100155   | Looper Bar Guide Shaft               | ガイド軸        | 1        |
| 22     | 110019    | Screw(M5-0.8 × 35)                   | 止ネジ         | 1        |
| 23     | 300000    | Washer                               | ワッシャ        | 2        |
| 24     | 3100151   | Looper Rocker Adjusting Pin          | ルーパ前後調節ピン   | 1        |
| 25     | 340001    | Roll Pin                             | ロールピン       | 1        |
| 26     | 100002    | Nut                                  | ナット         | 1        |
| 27     | 3100150   | Looper Rocker Connecting Rod, C. Set | ルーパ前後ロッド(組) | 1        |
| 28     | 3100147   | Looper Rocker Regulating Eccentric   | ルーパ前後エキセン   | 1        |
| 29     | 160003    | Screw(M5-0.8 × 5)                    | 止ネジ         | 1        |
| 30     | 0065389   | Roller Bearing                       | ニードルベアリング   | 1        |
| 31     | 3100149   | Looper Rocker Connecting Rod         | ルーパ前後ロッド    | 1        |
| 32     | 3100140   | Looper Connecting Rod                | ルーパロッド      | 1        |
| 33     | 005071    | Screw(11/64-32 × 14)                 | 止ネジ         | 4        |
| 34     | 3100355   | Oil Splasher                         | オイルスプラッシャ   | 1        |
| 35     | 3100141   | Guide Fork                           | 振れ止め        | 1        |
| 36     | 004440    | Screw(11/64-40 × 8.3)                | 止ネジ         | 2        |
| 37     | 3100142   | Looper Driving Lever                 | ルーパ軸腕       | 1        |
| 38     | 000637    | Seal Plug                            | 詰栓          | 1        |
| 39     | 3100143   | Looper Rocker Arm                    | ルーパ振り腕      | 1        |
| 40     | 120011    | Screw(M6-1 × 18)                     | 止ネジ         | 1        |
| 41     | 3100146   | Thrust Plate                         | スラストプレート    | 3        |
| 42     | 3100145   | Thrust Roller Bearing                | スラストベアリング   | 2        |
| 43     | 3100144   | Looper Shaft                         | ルーパ軸        | 1        |
| 44     | 000740    | Seal Plug                            | 詰栓          | 2        |
| 45     | 160029    | Screw(M8-1.25 × 8)                   | 止ネジ         | 2        |
| 46     | 001123    | Washer                               | ワッシャ        | 2        |

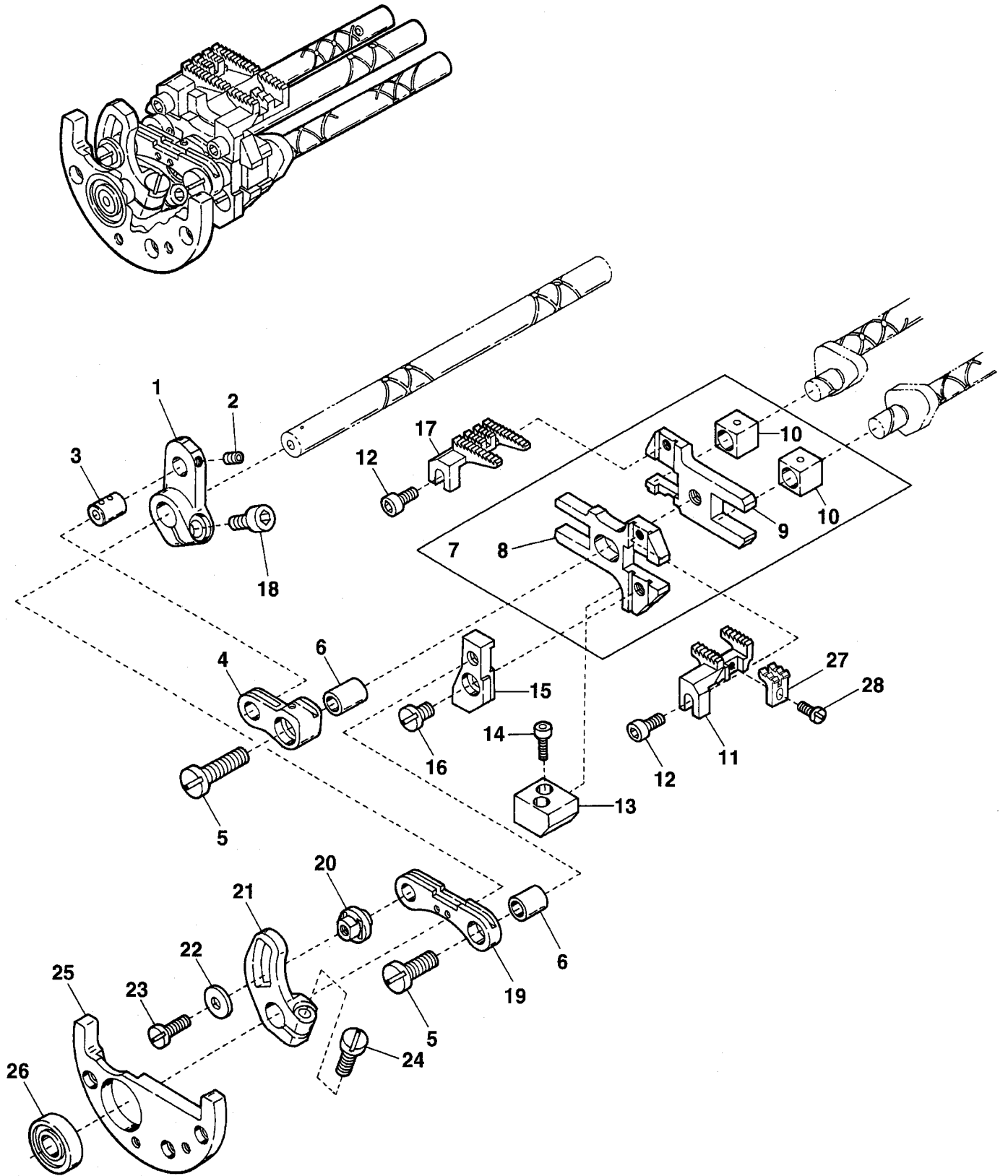


| Ref.No | Parts No. | Description                     | 品名          | Amt. Req |
|--------|-----------|---------------------------------|-------------|----------|
| 1      | 3100217   | Feed Lift Lever                 | 送り上下軸腕      | 1        |
| 2      | 160007    | Screw(M6-1 × 6)                 | 止ネジ         | 6        |
| 3      | 0032799   | Connecting Rod Pin              | ロッドピン       | 1        |
| 4      | 160002    | Screw(M4-0.7 × 2)               | 止ネジ         | 4        |
| 5      | 3150040   | Feed Lift Connecting Rod        | 送り上下ロッド     | 1        |
| 6      | 3100192   | Retaining Ring                  | 止メ輪         | 2        |
| 7      | 3100190   | Roller Bearing                  | ニードルベアリング   | 2        |
| 8      | 3100189   | Feed Eccentric                  | 送りエキセン      | 1        |
| 9      | 006212    | Screw(M5-0.8 × 6)               | 止ネジ         | 2        |
| 10     | 3100191   | Feed Connecting Rod             | 送りロッド       | 1        |
| 11     | 3100193   | Connecting Rod Pin              | ロッドピン       | 2        |
| 12     | 3100194   | Lever Link(Long)                | 送りレバーリンク(長) | 1        |
| 13     | 3100195   | Lever Link(Short)               | 送りレバーリンク(短) | 1        |
| 14     | 3100196   | Lever Link Pin                  | 送りレバーリンクピン  | 1        |
| 15     | 300006    | Washer                          | ワッシャ        | 1        |
| 16     | 110009    | Screw(M4-0.7 × 8)               | 止ネジ         | 1        |
| 17     | 3100197   | Feed Shaft Lever                | 送り軸レバー      | 1        |
| 18     | 120009    | Screw(M4-0.7 × 12)              | 止ネジ         | 1        |
| 19     | 3100199   | Control Bracket                 | 送り調節ブラケット   | 1        |
| 20     | 3100202   | Connecting Rod Guide            | 送りロッドガイド    | 1        |
| 21     | 3100200   | Control Bracket Spring          | ブラケットバネ     | 1        |
| 22     | 340003    | Pin                             | ピン          | 2        |
| 23     | 3100103   | Control Lever Shaft Bushing     | 調節レバー軸ブッシュ  | 1        |
| 24     | 3100104   | O-ring(P16)                     | Oリング        | 1        |
| 25     | 0093303   | Oil Seal                        | オイルシール      | 1        |
| 26     | 3150068   | Control Lever Shaft             | 送り調節レバー軸    | 1        |
| 27     | 3100210   | Feed Control Lever              | 送り調節レバー     | 1        |
| 28     | 3150157   | Feed Graduations                | 送り目盛板       | 1        |
| 29     | 130004    | Screw(M4-0.7 × 11)              | 止ネジ         | 2        |
| 30     | 000505    | Spacer                          | スペーサ        | 2        |
| 31     | 190004    | Screw(M6-1 × 7.5, M4.5-0.5 × 3) | 止ネジ         | 1        |
| 32     | 100005    | Nut                             | ナット         | 1        |
| 33     | 000561    | Conical Spring Washer           | 皿バネワッシャ     | 1        |
| 34     | 0020350   | Control Lever Stop              | 送り調節レバーストップ | 1        |
| 35     | 000669    | Washer                          | ワッシャ        | 1        |
| 36     | 000600    | Spring Washer                   | スプリングワッシャ   | 1        |
| 37     | 005049    | Screw(M5-0.8 × 8)               | 止ネジ         | 1        |
| 38     | 3100211   | Control Link Pin                | 送り調節リンクピン   | 1        |
| 39     | 3100203   | Control Link                    | 送り調節リンク     | 1        |
| 40     | 3100208   | Control Nut                     | 送り調節ナット     | 1        |
| 41     | 001107    | Roll Pin                        | ロールピン       | 1        |
| 42     | 3100205   | O-ring(P12)                     | Oリング        | 1        |
| 43     | 3100204   | Adjusting Screw                 | 調節ネジ        | 1        |
| 44     | 3100207   | Adjusting Stop Pin              | ストップピン      | 1        |
| 45     | 160001    | Screw(M4-0.7 × 4)               | 止ネジ         | 1        |
| 46     | 3100206   | Adjusting Knob                  | 調節ツマミ       | 1        |
| 47     | 130011    | Screw(M3-0.5 × 4)               | 止ネジ         | 1        |
| 48     | 110013    | Screw(M4-0.7 × 8)               | 止ネジ         | 1        |

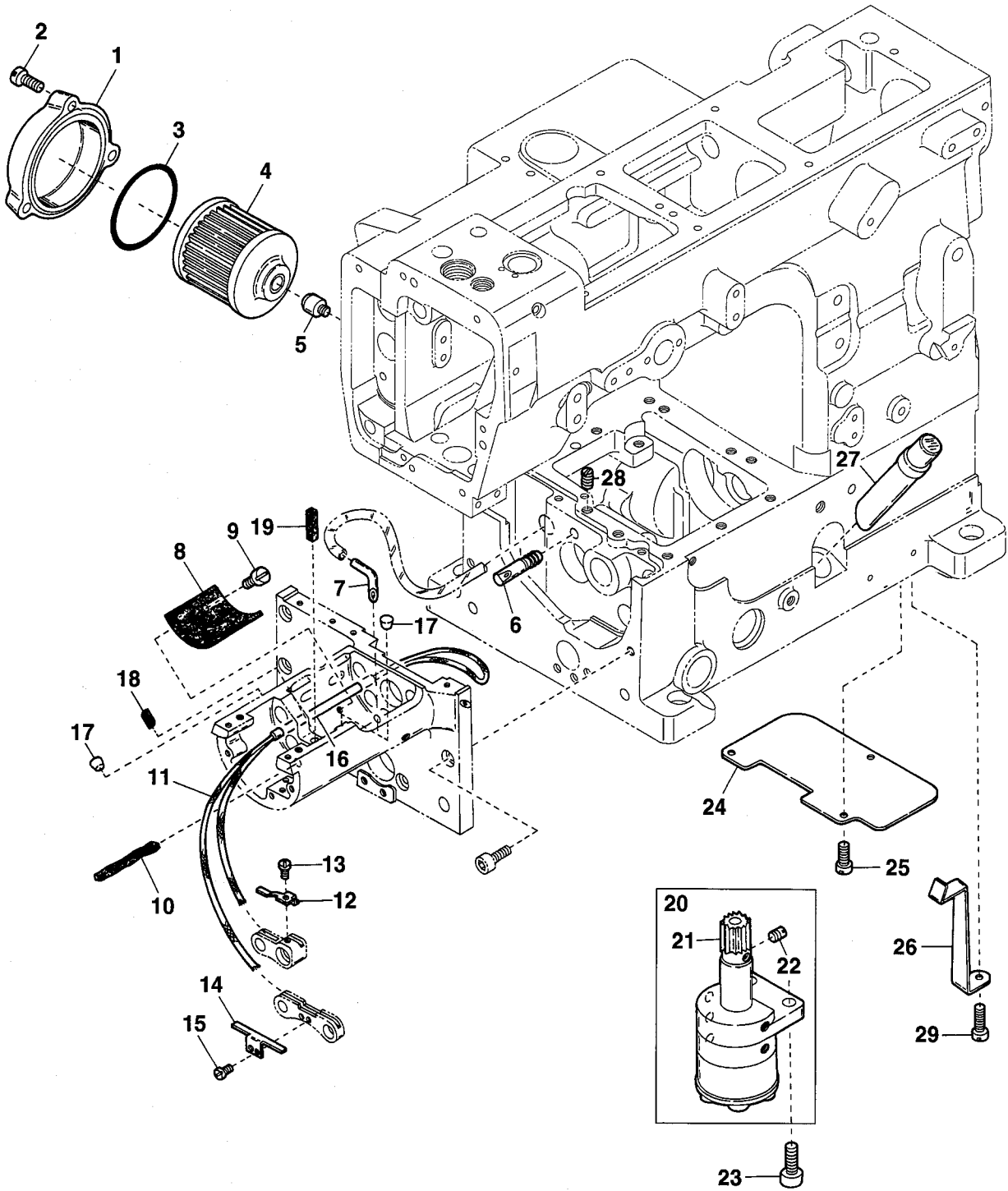




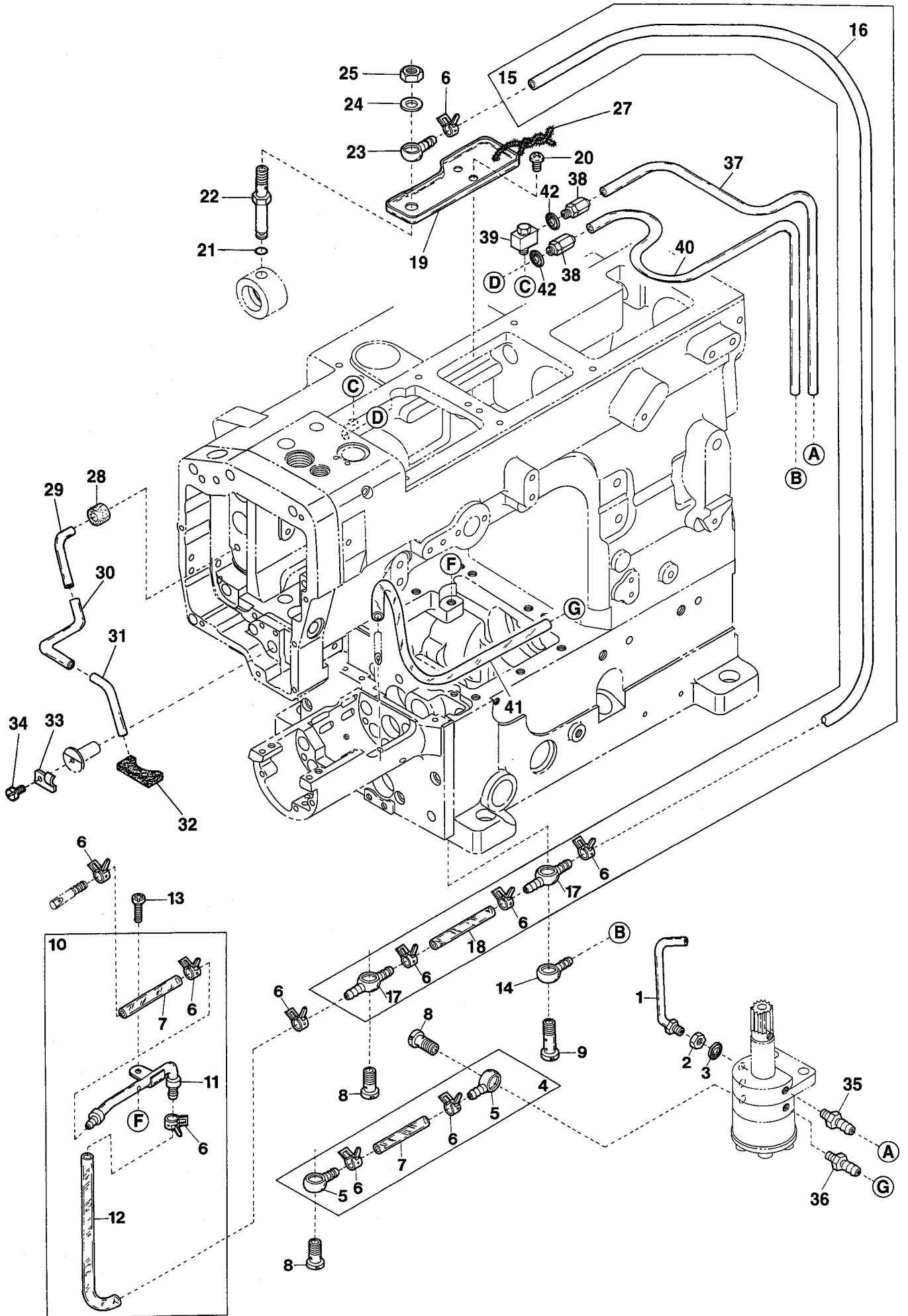
| Ref.No | Parts No. | Description                            | 品名           | Amt. Req |
|--------|-----------|--|--------------|----------|
| 1      | 3150034   | Feed Lift Shaft(Rear)                  | 送り上下軸(後)     | 1        |
| 2      | 000397    | Oil Wick                               | 油芯           | 11       |
| 3      | 310035    | Oil Wick(2-165mm)                      | 油芯           | 2        |
| 4      | 330009    | Seal Plug                              | 詰栓           | 4        |
| 5      | 3150030   | Collar(8 × 12 × 6mm)                   | カラー          | 6        |
| 6      | 120047    | Screw(M3-0.5 × 8)                      | 止ネジ          | 3        |
| 7      | 3150032   | Feed Lift Lever(Rear)                  | 送り上下軸腕(後)    | 1        |
| 8      | 120018    | Screw(M4-0.7 × 10)                     | 止ネジ          | 1        |
| 9      | 0033024   | Retaining Ring                         | ストップリング      | 1        |
| 10     | 3150031   | Feed Lift Connecting Link(Right)       | 送り上下リンク(右)   | 1        |
| 11     | 3150022   | Feed Lift Shaft                        | 送り上下軸        | 1        |
| 12     | 3150024   | Feed Lift Connecting Link Pin(Front)   | 送り上下リンクピン(前) | 1        |
| 13     | 003657    | Screw(M4-0.7 × 3)                      | 止ネジ          | 1        |
| 14     | 3150025   | Feed Lift Connecting Link(Left)        | 送り上下リンク(左)   | 1        |
| 15     | 2100620   | Feed Lift Connecting Link Pin(Left)    | 送り上下リンクピン(左) | 1        |
| 16     | 160000    | Screw(M4-0.5 × 3)                      | 止ネジ          | 2        |
| 17     | 3150027   | Feed Lift Lever(Left)                  | 送り上下軸腕(左)    | 1        |
| 18     | 110022    | Screw(M3-0.5 × 10)                     | 止ネジ          | 3        |
| 19     | 3150028   | Feed Lift Shaft(Front)                 | 送り上下軸(前)     | 1        |
| 20     | 3150048   | Feed Rocker Shaft(Left)                | 送り前後軸(左)     | 1        |
| 21     | 3150047   | Feed Rocker Lever(Rear)                | 送り前後腕(後)     | 1        |
| 22     | 120008    | Screw(M4-0.7 × 8)                      | 止ネジ          | 1        |
| 23     | 3150045   | Feed Rocker Connecting Link            | 送り前後リンク      | 1        |
| 24     | 3150041   | Feed Rocker Shaft(Right)               | 送り前後軸(右)     | 1        |
| 25     | 3150043   | Feed Rocker Connecting Link Pin(Front) | 送り前後リンクピン(前) | 1        |
| 26     | 310078    | Oil Wick(2-260mm)                      | 油芯           | 1        |



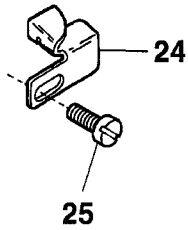
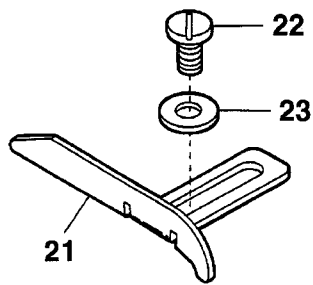
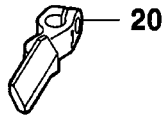
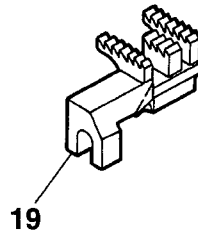
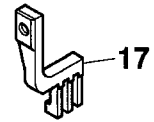
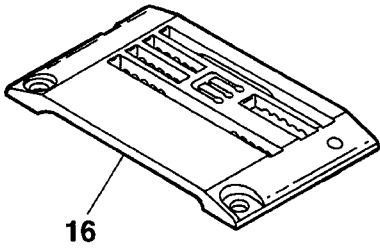
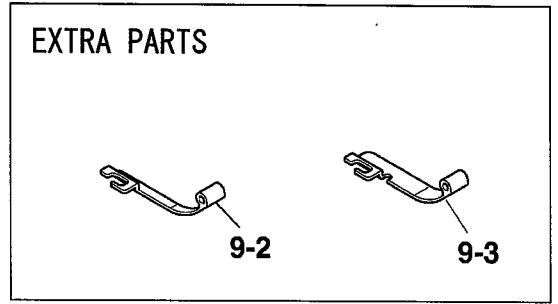
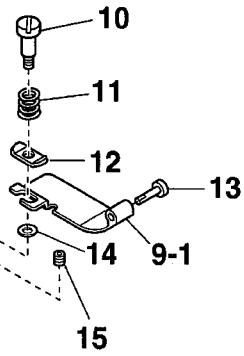
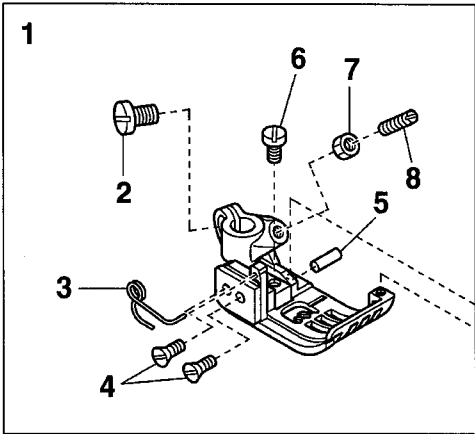
| Ref.No | Parts No. | Description                              | 品名         | Amt. Req |
|--------|-----------|--|------------|----------|
| 1      | 3150051   | Main Feed Rocker Lever                   | 後送り前後腕     | 1        |
| 2      | 160000    | Screw(M4-0.5 × 3)                        | 止ネジ        | 1        |
| 3      | 3150052   | Driving Connection Pin                   | 送りリンクピン    | 1        |
| 4      | 3150053   | Main Feed Bar Driving Connection         | 後送り前後リンク   | 1        |
| 5      | 110092    | Screw(M5-0.8 × 14.5)                     | 止ネジ        | 2        |
| 6      | 3150054   | Driving Connection Bushing               | 送りリンクブッシュ  | 2        |
| 7      | 3150184   | Feed Bar/Lift Block, C. Set              | 送り台角駒(組)   | 1        |
| 8      | 3150187   | Differential Feed Bar                    | 前送り台       | 1        |
| 9      | 3150186   | Main Feed Bar                            | 後送り台       | 1        |
| 10     | 3150062   | Feed Lift Block                          | 角駒         | 2        |
| 11     | 3159043   | Differential Feed Dog(56S)               | 前送り        | 1        |
| 12     | 120047    | Screw(M3-0.5 × 8)                        | 止ネジ        | 2        |
| 13     | 3150067   | Feed Bar Guide                           | 送り台ガイド     | 1        |
| 14     | 120007    | Screw(M3-0.5 × 10)                       | 止ネジ        | 2        |
| 15     | 3150066   | Feed Bar Plate                           | 送り台補助板     | 1        |
| 16     | 007627    | Screw(M4-0.7 × 6)                        | 止ネジ        | 1        |
| 17     | 3159037   | Main Feed Dog(56S)                       | 後送り        | 1        |
| 18     | 120018    | Screw(M4-0.7 × 10)                       | 止ネジ        | 1        |
| 19     | 3150057   | Differential Feed Bar Driving Connection | 前送り前後リンク   | 1        |
| 20     | 3150056   | Differential Feed Adjusting Pin          | 前送り前後調節ピン  | 1        |
| 21     | 3150055   | Differential Feed Rocker Lever           | 前送り前後腕     | 1        |
| 22     | 300048    | Washer                                   | ワッシャ       | 1        |
| 23     | 110004    | Screw(M3.5-0.6 × 8)                      | 止ネジ        | 1        |
| 24     | 110035    | Screw(M4-0.7 × 10)                       | 止ネジ        | 1        |
| 25     | 3150098   | Bearing Housing                          | ベアリングハウジング | 1        |
| 26     | 3150059   | Ball Bearing                             | ボールベアリング   | 1        |
| 27     | 3159019   | Differential Feed Dog(Middle)(56S)       | 中送り        | 1        |
| 28     | 110038    | Screw(M2.5-0.45 × 4.5)                   | 止ネジ        | 1        |



| Ref.No | Parts No. | Description                | 品名          | Amt. Req |
|--------|-----------|----------------------------|-------------|----------|
| 1      | 3100060   | Oil Filter Cap             | オイルフィルタキャップ | 1        |
| 2      | 110045    | Screw(M4-0.7 × 12)         | 止ネジ         | 3        |
| 3      | 3100061   | O-ring(P42)                | Oリング        | 1        |
| 4      | 3100345   | Oil Filter                 | オイルフィルタ     | 1        |
| 5      | 3100329   | Oil Filter Connector       | オイルフィルタ継手   | 1        |
| 6      | 3150138   | Lower Shaft Oiling Outlet  | 下軸給油管       | 1        |
| 7      | 3150156   | Suction Pipe               | 吸入パイプ       | 1        |
| 8      | 3150142   | Cylinder Felt              | シリンダフェルト    | 1        |
| 9      | 110054    | Screw(M3-0.5 × 3.5)        | 止ネジ         | 2        |
| 10     | 000304    | Felt(2.5 × 3 × 60)         | フェルト        | 1        |
| 11     | 310077    | Oil Wick                   | 油芯(2号500mm) | 1        |
| 12     | 3150077   | Oil Wick Clamp(Short)      | 油芯押エ(短)     | 1        |
| 13     | 110027    | Screw(M2.5-0.45 × 3.5)     | 止ネジ         | 1        |
| 14     | 3150078   | Oil Wick Presser(Long)     | 油芯押エ(長)     | 1        |
| 15     | 110023    | Screw(M2-0.4 × 3.5)        | 止ネジ         | 2        |
| 16     | 3150154   | Pipe                       | 油芯パイプ       | 1        |
| 17     | 330009    | Seal Plug                  | 詰栓          | 2        |
| 18     | 310054    | Felt(2.3 × 2.3 × 6)        | フェルト        | 1        |
| 19     | 310047    | Felt(2.3 × 2.3 × 11.5)     | フェルト        | 1        |
| 20     | 3150143   | Oil Pump, Complete Set     | ポンプ(組)      | 1        |
| 21     | 0030711   | Oil Pump Driving Worm Gear | ウォームギア      | 1        |
| 22     | 160001    | Screw(M4-0.7 × 4)          | 止ネジ         | 3        |
| 23     | 120011    | Screw(M6-1 × 15)           | 止ネジ         | 2        |
| 24     | 3150155   | Dust Proof Plate           | 防塵板         | 1        |
| 25     | 110012    | Screw(M4-0.7 × 5)          | 止ネジ         | 3        |
| 26     | 3100330   | Oil Tube Stay              | オイルパイプ支エ    | 1        |
| 27     | 3150189   | Oil Sight Gauge            | オイルゲージ      | 1        |
| 28     | 009736    | Screw(M4-0.7 × 6)          | 止ネジ         | 1        |
| 29     | 110013    | Screw(M4-0.7 × 8)          | 止ネジ         | 1        |

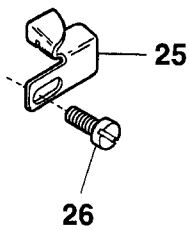
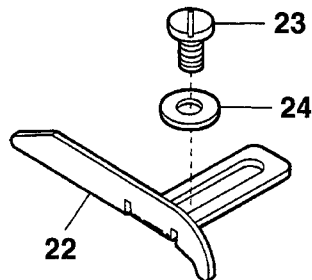
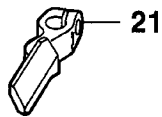
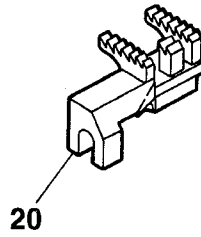
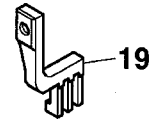
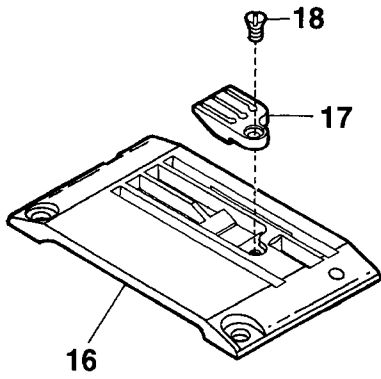
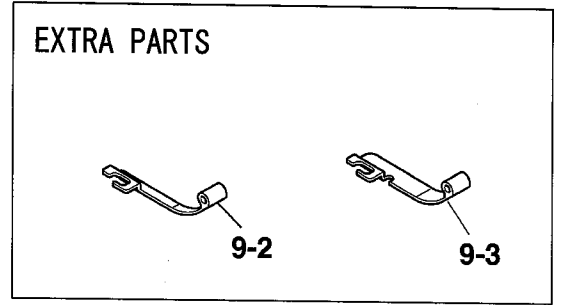
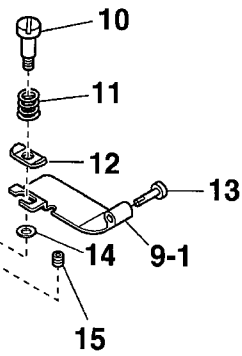
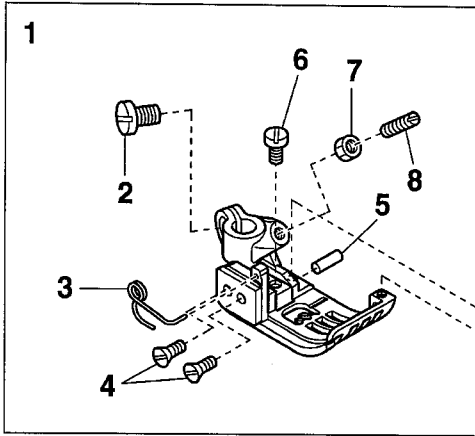


| Ref.No | Parts No. | Description                    | 品名          | Amt. Req |
|--------|-----------|--------------------------------|-------------|----------|
| 1      | 3100349   | Oil Nozzle for Worm Gear       | 給油パイプ       | 1        |
| 2      | 000419    | Nut                            | ナット         | 1        |
| 3      | 000567    | Seal                           | パッキン        | 1        |
| 4      | 3100356   | Oil Tube(Short), Complete Set  | 給油パイプ(短)(組) | 1        |
| 5      | 3100370   | Oil Tube Joint, One Way        | 片口管継手       | 3        |
| 6      | 0031831   | Oil Tube Clamp                 | 緊束環         | 10       |
| 7      | 3100331   | Oil Tube(4 × 6 × 31mm)         | オイルパイプ      | 2        |
| 8      | 320008    | Fitting Stud(Short)            | 環継手ボルト(短)   | 3        |
| 9      | 320009    | Fitting Stud(Long)             | 環継手ボルト(長)   | 1        |
| 10     | 3100390   | Oil Tube(Middle), Complete Set | 給油パイプ(中)(組) | 1        |
| 11     | 3100343   | Lower Shaft Oiling Shower      | 下軸給油シャワ     | 1        |
| 12     | 3100334   | Oil Tube(4 × 6 × 110mm)        | オイルパイプ      | 1        |
| 13     | 110013    | Screw(M4-0.7 × 8)              | 止ネジ         | 1        |
| 14     | 320001    | Oil Tube Joint, One Way        | 片口管継手       | 1        |
| 15     | 3520011   | Oil Tube(Long), Complete Set   | 給油パイプ(長)(組) | 1        |
| 16     | 3270023   | Oil Tube(4 × 6 × 530mm)        | オイルパイプ      | 1        |
| 17     | 3100371   | Oil Tube Joint, Two Way        | 両口管継手       | 2        |
| 18     | 3100332   | Oil Tube(4 × 6 × 37mm)         | オイルパイプ      | 1        |
| 19     | 3500412   | Oil Receiver                   | 油受ケ皿        | 1        |
| 20     | 110012    | Screw(M4-0.7 × 5)              | 止ネジ         | 2        |
| 21     | 0032518   | O-ring(P3)                     | Oリング        | 1        |
| 22     | 3500402   | Oil Sight Top Nozzle           | ノズル         | 1        |
| 23     |           |                                |             |          |
| 24     | 000425    | Washer                         | ワッシャ        | 1        |
| 25     | 000234    | Nut                            | ナット         | 2        |
| 26     |           |                                |             |          |
| 27     | 000463    | Laced Wire(φ 3 × 260mm)        | モール         | 1        |
| 28     | 0093617   | Suction Pipe Bushing           | 吸入パイプブッシュ   | 1        |
| 29     | 3160152   | Suction Pipe                   | 吸入パイプ       | 1        |
| 30     | 3510067   | Oil Tube(3 × 5 × 60mm)         | オイルパイプ      | 1        |
| 31     | 3510065   | Suction Pipe(Lower)            | 吸入パイプ(下)    | 1        |
| 32     | 3510068   | Felt                           | フェルト        | 1        |
| 33     | 3160153   | Suction Pipe Stay              | 吸入パイプ支エ     | 1        |
| 34     | 110038    | Screw(M2.5-0.45 × 4.5)         | 止ネジ         | 1        |
| 35     | 0010018   | Bamboo Joint(Φ 3.3-M5)         | バンブ継手       | 1        |
| 36     | 0010017   | Bamboo Joint(Φ 4.4-M5)         | バンブ継手       | 1        |
| 37     | 3160151   | Oil Tube(2.5 × 4 × 420mm)      | オイルパイプ      | 1        |
| 38     | 0010258   | Connector(Φ 2.5-M5)            | コネクタ        | 2        |
| 39     | 0010019   | Universal Elbow(M5)            | ユニバーサルエルボ   | 1        |
| 40     | 3520010   | Oil Tube(2.5 × 4 × 470mm)      | オイルパイプ      | 1        |
| 41     | 3150159   | Oil Tube(3 × 5 × 450mm)        | オイルパイプ      | 1        |
| 42     | 000623    | Seal                           | パッキン        | 1        |

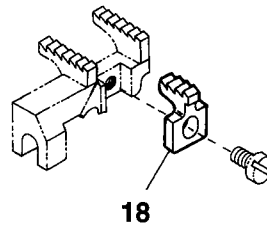
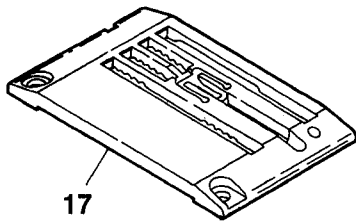
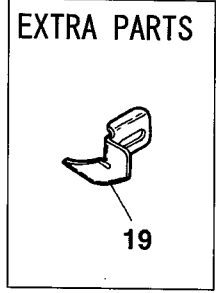
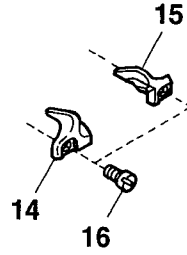
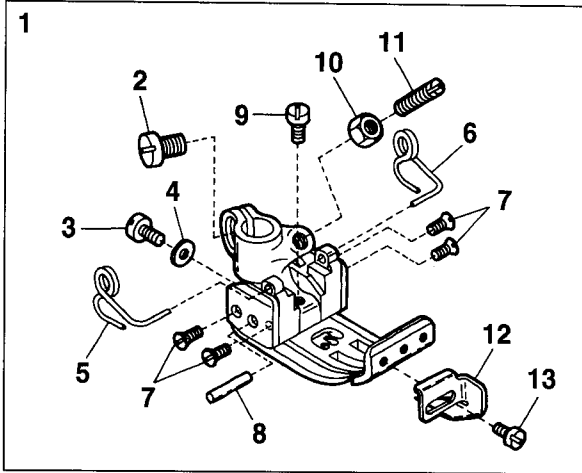




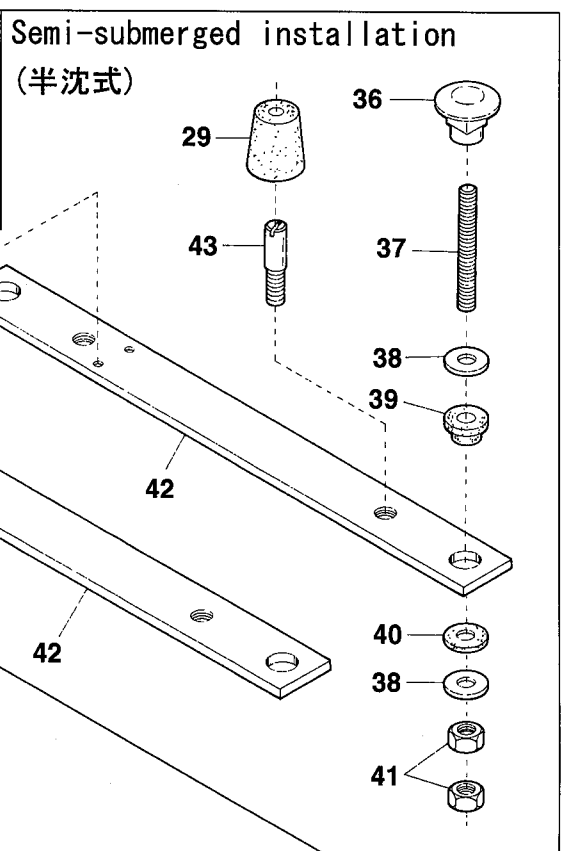
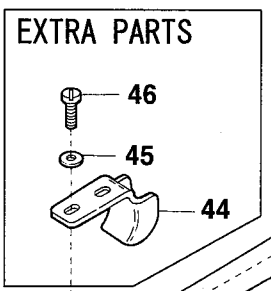
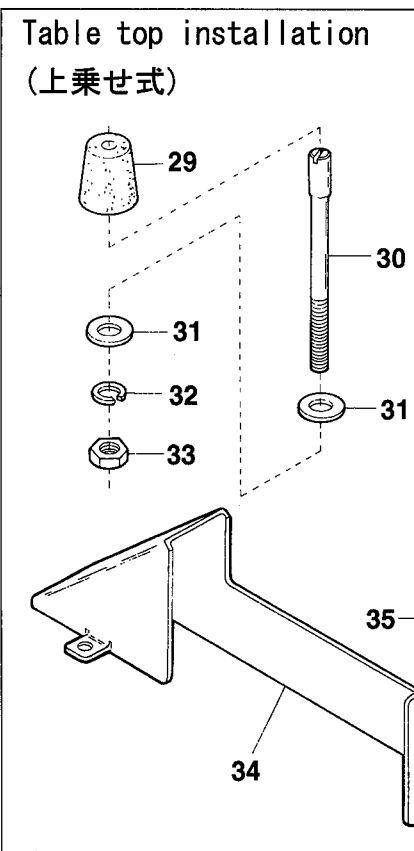
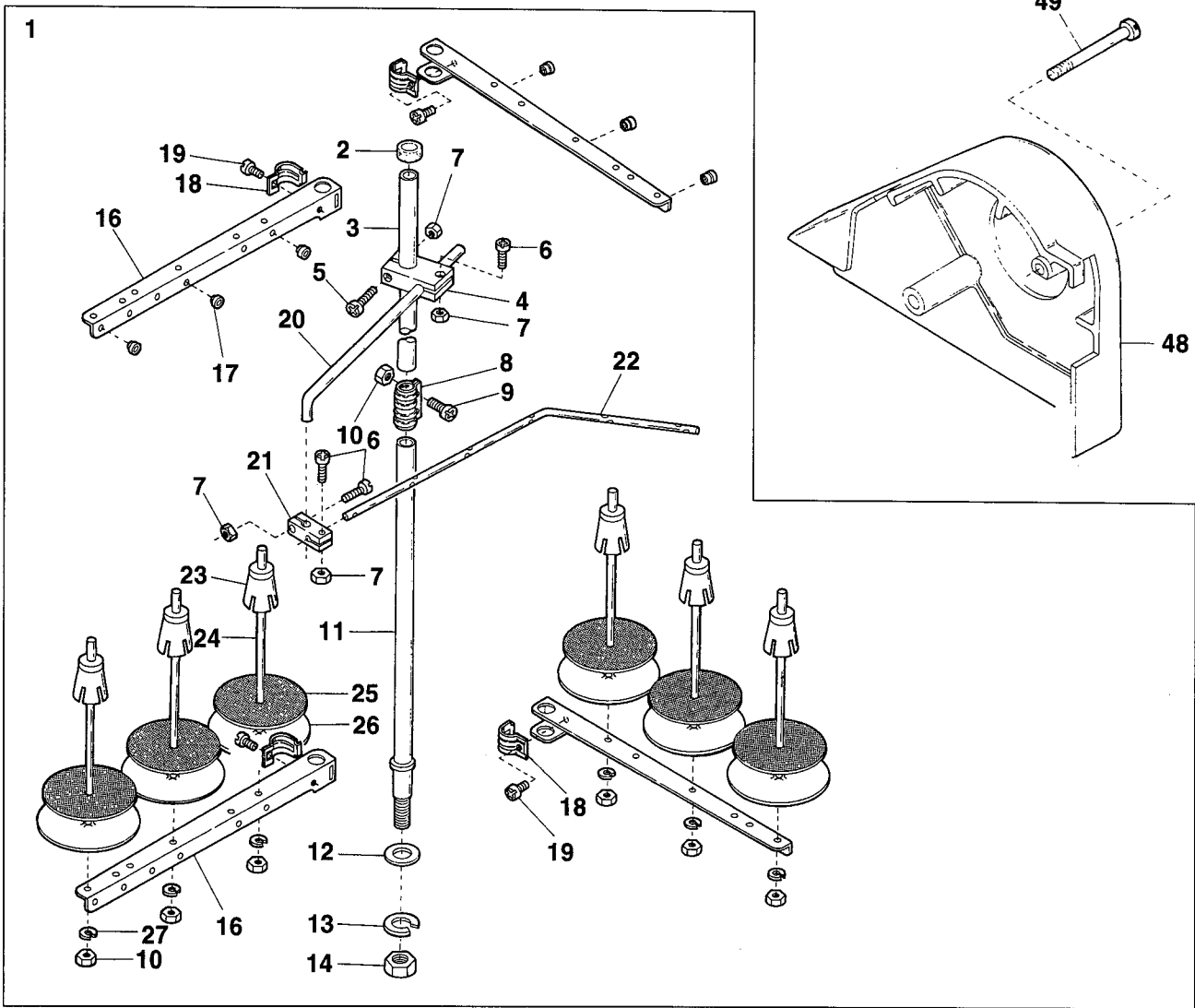
| Ref.No | Parts No. | Description                         | 品名        | Amt. Req |
|--------|-----------|-------------------------------------|-----------|----------|
| 1      | 3517003   | Presser Foot, C. Set(56)            | 押エ(組)     | 1        |
| 2      | 110004    | Screw(M3.5-0.6 × 8)                 | 止ネジ       | 1        |
| 3      | 3107303   | Presser Foot Spring(Left)           | 小押エバネ(左)  | 1        |
| 4      | 130016    | Screw(M2.5-0.45 × 6)                | 止ネジ       | 2        |
| 5      | 3247022   | Presser Foot Hinge Pin(56)          | 押エヒンジピン   | 1        |
| 6      | 110084    | Screw(M3.5-0.5 × 4.2)               | 止ネジ       | 1        |
| 7      | 000327    | Lock Nut                            | ロックナット    | 1        |
| 8      | 003302    | Adjusting Screw(1/8-44 × 11)        | 止ネジ       | 1        |
| 9-1    | 3517039   | Fabric Presser(Width 25.4mm)        | 布押エ       | 1        |
| 9-2    | 3517037   | Fabric Presser(width 15.9mm)(Extra) | 布押エ(特注品)  | 1        |
| 9-3    | 3517038   | Fabric Presser(width 19mm)(Extra)   | 布押エ(特注品)  | 1        |
| 10     | 170058    | Screw(M2-0.4 × 2.5)                 | 止ネジ       | 1        |
| 11     | 3517031   | Fabric Presser Spring               | 布押エバネ     | 1        |
| 12     | 2150112   | Spring Holder                       | バネ受ケ      | 1        |
| 13     | 3517032   | Fabric Presser Shaft                | 布押エ軸      | 1        |
| 14     | 300068    | Washer                              | ワッシャ      | 1        |
| 15     | 160033    | Screw(M2.5-0.45 × 3)                | 止ネジ       | 1        |
| 16     | 3158060   | Stitch Plate(56S-1)                 | 針板        | 1        |
| 17     | 3519010   | Top Feed Dog                        | 上送り       | 1        |
| 18     |           |                                     |           |          |
| 19     | 3159040   | Differential Feed Dog(56)           | 前送り       | 1        |
| 20     | 3159205   | Needle Guard(Rear)                  | 針受ケ(後)    | 1        |
| 21     | 3150165   | Fabric Edge Guide(Right)            | 裾引きガイド(右) | 1        |
| 22     | 007627    | Screw(M4-0.7 × 6)                   | 止ネジ       | 2        |
| 23     | 000533    | Washer                              | ワッシャ      | 2        |
| 24     | 3155010   | Fabric Edge Guide(Left)             | 裾引きガイド(左) | 1        |
| 25     | 110007    | Screw(M2.5-0.45 × 6)                | 止ネジ       | 1        |



| Ref.No | Parts No. | Description                         | 品名        | Amt. Req |
|--------|-----------|-------------------------------------|-----------|----------|
| 1      | 3517003   | Presser Foot C. Set(56)             | 押エ(組)     | 1        |
| 2      | 110004    | Screw(M3.5-0.6 × 8)                 | 止ネジ       | 1        |
| 3      | 3107303   | Presser Foot Spring(Left)           | 小押エバネ(左)  | 1        |
| 4      | 130016    | Screw(M2.5-0.45 × 6)                | 止ネジ       | 2        |
| 5      | 3247022   | Presser Foot Hinge Pin(56)          | 押エヒンジピン   | 1        |
| 6      | 110084    | Screw(M3.5-0.5 × 4.2)               | 止ネジ       | 1        |
| 7      | 000327    | Lock Nut                            | ロックナット    | 1        |
| 8      | 003302    | Adjusting Screw(1/8-44 × 11)        | 止ネジ       | 1        |
| 9-1    | 3517039   | Fabric Presser(Width 25.4mm)        | 布押エ       | 1        |
| 9-2    | 3517037   | Fabric Presser(width 15.9mm)(Extra) | 布押エ(特注品)  | 1        |
| 9-3    | 3517038   | Fabric Presser(width 19mm)(Extra)   | 布押エ(特注品)  | 1        |
| 10     | 170058    | Screw(M2-0.4 × 2.5)                 | 止ネジ       | 1        |
| 11     | 3517031   | Fabric Presser Spring               | 布押エバネ     | 1        |
| 12     | 2150112   | Spring Holder                       | バネ受け      | 1        |
| 13     | 3517032   | Fabric Presser Shaft                | 布押エ軸      | 1        |
| 14     | 300068    | Washer                              | ワッシャ      | 1        |
| 15     | 160033    | Screw(M2.5-0.45 × 3)                | 止ネジ       | 1        |
| 16     | 3158150   | Stitch Plate(56S8-1)                | 針板        | 1        |
| 17     | 3508155   | Stitch Plate Tongue(56S8)           | 針板爪       | 1        |
| 18     | 004182    | Screw(3/32-56 × 2.5)                | 止ネジ       | 1        |
| 19     | 3519010   | Top Feed Dog                        | 上送り       | 1        |
| 20     | 3159061   | Differential Feed Dog(56)           | 前送り       | 1        |
| 21     | 3159205   | Needle Guard(Rear)                  | 針受け(後)    | 1        |
| 22     | 3150165   | Fabric Edge Guide(Right)            | 裾引きガイド(右) | 1        |
| 23     | 007627    | Screw(M4-0.7 × 6)                   | 止ネジ       | 2        |
| 24     | 000533    | Washer                              | ワッシャ      | 2        |
| 25     | 3155010   | Fabric Edge Guide(Left)             | 裾引きガイド(左) | 1        |
| 26     | 110007    | Screw(M2.5-0.45 × 6)                | 止ネジ       | 1        |





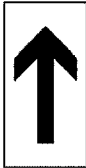




| Ref.No | Parts No. | Description                   | 品 名       | Amt. Req |
|--------|-----------|-------------------------------|-----------|----------|
| 1      | 3167029   | Presser Foot, C. Set(56)      | 押エ(組)     | 1        |
| 2      | 110004    | Screw(M3.5-0.6 × 8)           | 止ネジ       | 1        |
| 3      | 110054    | Screw(M3-0.5 × 3.5)           | 止ネジ       | 1        |
| 4      | 000531    | Washer                        | ワッシャ      | 1        |
| 5      | 3107303   | Presser Foot Spring(Left)     | 小押エバネ(左)  | 1        |
| 6      | 3107304   | Presser Foot Spring(Right)    | 押エバネ(右)   | 1        |
| 7      | 130016    | Screw(M2.5-0.45 × 6)          | 止ネジ       | 4        |
| 8      | 3107306   | Presser Foot Hinge Pin        | 押エヒンジピン   | 1        |
| 9      | 110084    | Screw(M3.5-0.6 × 4.2)         | 止ネジ       | 1        |
| 10     | 000327    | Lock Nut                      | ロックナット    | 1        |
| 11     | 260006    | Adjusting Screw(1/8-44 × 9.5) | 調節ネジ      | 1        |
| 12     | 3167040   | Fabric Guide                  | 布ガイド      | 1        |
| 13     | 110027    | Screw(M2.5-0.45 × 3.5)        | 止ネジ       | 1        |
| 14     | 3520021   | Fabric Guide(Left)            | 布ガイド(左)   | 1        |
| 15     | 3520020   | Fabric Guide(Right)           | 布ガイド(右)   | 1        |
| 16     | 110007    | Screw(M2.5-0.45 × 6)          | 止ネジ       | 2        |
| 17     | 3158082   | Stitch Plate(56L-2)           | 針板        | 1        |
| 18     | 3159012   | Differential Feed Dog(Middle) | 中送り       | 1        |
| 19     | 3167041   | Fabric Guide(Extra)           | 布ガイド(特注品) | 1        |



| Ref.No | Parts No.         | Description                         | 品名            | Amt. Req |
|--------|-------------------|-------------------------------------|---------------|----------|
| 1      | 9620696           | Thread Stand, C. Set(6 Spools Type) | 糸立台(組)(6本糸用)  | 1        |
| 2      | 9620631           | Column Cap                          | コラムキャップ       | 1        |
| 3      | 9620670           | Column Pipe(Upper)                  | コラムパイプ(上)     | 1        |
| 4      | 9620689           | Thread Guide Holder(Large)          | ガイドホルダ(大)     | 1        |
| 5      | 911002            | Screw(M4-0.7 × 20)                  | 止ネジ           | 1        |
| 6      | 911001            | Screw(M4-0.7 × 12)                  | 止ネジ           | 3        |
| 7      | 910001            | Nut                                 | ナット           | 4        |
| 8      | 9620673           | Column Pipe Connector               | コラムパイプ継手      | 1        |
| 9      | 911006            | Screw(M5-0.8 × 13)                  | 止ネジ           | 2        |
| 10     | 910000            | Nut                                 | ナット           | 8        |
| 11     | 9620675           | Column Pipe(Lower)                  | コラムパイプ(下)     | 1        |
| 12     | 930052            | Washer                              | ワッシャ          | 1        |
| 13     | 930053            | Spring Washer                       | スプリングワッシャ     | 1        |
| 14     | 910003            | Nut                                 | ナット           | 1        |
| 15     |                   |                                     |               |          |
| 16     | 9620703           | Thread Hanger(3 Spool Type)         | スレッドハンガ(3本糸用) | 4        |
| 17     | 9620700           | Thread Eyelet                       | アイレット         | 6        |
| 18     | 9620688           | Thread Hanger Holder                | スレッドハンガ抱キ     | 4        |
| 19     | 911060            | Screw(M6-1 × 15)                    | 止ネジ           | 4        |
| 20     | 9620691           | Thread Guide Arm                    | ガイドアーム        | 1        |
| 21     | 9620690           | Thread Guide Holder(Small)          | ガイドホルダ(小)     | 1        |
| 22     | 9620666           | Thread Guide(6 Spools Type)         | スレッドガイド(6本糸用) | 1        |
| 23     | 9620678           | Spool Cushion                       | スプールのクッション    | 6        |
| 24     | 9620679           | Spool Pin                           | スプールの軸        | 6        |
| 25     | 9620680           | Spool Mat                           | スプールのマット      | 6        |
| 26     | 9620681           | Spool Seat Disc                     | 受ケ皿           | 6        |
| 27     | 930055            | Spring Washer                       | スプリングワッシャ     | 6        |
| 28     |                   |                                     |               |          |
| 29     | 0063009           | Oil Reservoir Rubber Cushion        | ゴム座           | 4        |
| 30     | 180008            | Setting Screw(M6-1 × 63)            | 取付ケネジ         | 4        |
| 31     | 000528            | Washer                              | ワッシャ          | 8        |
| 32     | 000667            | Spring Washer                       | スプリングワッシャ     | 4        |
| 33     | 000011            | Nut                                 | ナット           | 4        |
| 34     | 3100036           | Belt Cover(Lower)                   | ベルトカバー(下)     | 1        |
| 35     | 006905            | Wood Screw(Φ 5.1 × 20)              | 木ネジ           | 3        |
| 36     | 000070            | Hanging Nut                         | 吊リナット         | 4        |
| 37     | 009858            | Hanging Bolt(M8-1.25 × 75)          | 吊リボルト         | 4        |
| 38     | 000162            | Washer                              | ワッシャ          | 8        |
| 39     | 0020064           | Supporting Board Rubber Cushion     | 受ケ板ゴム座        | 4        |
| 40     | 0063010           | SupportingBoardRubberCushion(Lower) | 受ケ板ゴム座(下)     | 4        |
| 41     | 000016            | Nut                                 | ナット           | 8        |
| 42     | 3100008           | Supporting Board                    | 油受ケ板          | 2        |
| 43     | 180009            | Setting Screw(M6-1 × 16)            | 取付ケネジ         | 4        |
| 44     | 3200242           | Chain Guide                         | 鎖ガイド          | 1        |
| 45     | 000541            | Washer                              | ワッシャ          | 2        |
| 46     | 110009            | Screw(M4-0.7 × 8)                   | 止ネジ           | 2        |
| 47     |                   |                                     |               |          |
| 48     | 3150139 [3150133] | Belt Cover                          | ベルトカバー        | 1        |
| 49     | 110028            | Screw(M6-1 × 46)                    | 止ネジ           | 2        |

## WARNING LABEL 警告ラベル

| LABEL<br>ラベル   | Parts No.<br>品番 | Description<br>品名   |
|--|-----------------|---|
|  <p><b>CAUTION</b></p> <p>Do not operate without eye guard and safety devices.<br/>Before threading, changing needle, cleaning etc. switch off main switch.</p>                       | 390140          | CAUTION IN OPERATION  |
| <p><b>▲ 注意</b></p>  <p>動く部分でけがをする。<br/>安全保護装置をつけて縫製作業をすること。<br/>電源を切ってから、糸通し、ボビンや針の交換、掃除や調整をすること。</p>   | 390143          | 操作注意ラベル   |
| <p><b>▲ 高電圧警告</b><br/><b>▲ DANGER</b></p>  <p>このカバーを開けるときは、電源スイッチを切った後、5分たってから開けること。<br/>To open this cover, turn off power supply and wait more than 5 minutes before opening.</p> | 390144          | DANGER : WARNING OF ELECTRIC SHOCK BY HIGH-VOLTAGE<br>感電注意ラベル                                   |
|   | 390145          | "Be sure to connect earth line".<br>アースラベル  |
|   | 390146          | ROTATING-DIRECTION<br>SYMBOL : CHECK CORRECT ROTATING DIRECTION<br>回転方向表示ラベル                    |
|  <p>ケガ注意<br/>CAUTION</p>  | 390147          | EYE GUARD : TAKE CARE NOT CAUSE INJURY TO EYES<br>BELT COVER : DO NOT INSERT FINGERS<br>ケガ注意ラベル |
|  <p>高温注意<br/>CAUTION</p>  | 390148          | CAUTION FOR HIGH TEMPERATURE : DO NOT TOUCH STEPPING MOTOR AND SOLENOID<br>高温注意ラベル              |



## INDEX

VES2700-8

Page = 1

| Parts No. | Page No. | Ref. No. | Weight(g) | Parts No. | Page No. | Ref. No. | Weight(g) | Parts No. | Page No. | Ref. No. | Weight(g) |
|-----------|----------|----------|-----------|-----------|----------|----------|-----------|-----------|----------|----------|-----------|
| 000011    | 24       | 33       |           | 000637    | 15       | 38       |           | 006212    | 7        | 18       |           |
| 000014    | 5        | 49       |           | 000651    | 4        | 38       |           | 006212    | 16       | 9        |           |
| 000014    | 11       | 67       |           | 000667    | 8        | 28       |           | 006905    | 24       | 35       |           |
| 000016    | 24       | 41       |           | 000667    | 24       | 32       |           |           |          |          |           |
| 000022    | 3        | 8        |           | 000669    | 5        | 45       |           | 007627    | 18       | 16       |           |
| 000070    | 24       | 36       |           | 000669    | 7        | 44       |           | 007627    | 21       | 22       |           |
| 000162    | 24       | 38       |           | 000669    | 13       | 11       |           | 007627    | 22       | 23       |           |
| 000177    | 4        | 6        |           | 000669    | 16       | 35       |           |           |          |          |           |
| 000195    | 5        | 3        |           | 000690    | 10       | 61       |           | 008051    | 10       | 25       |           |
| 000206    | 10       | 52       |           | 000726    | 1        | 33       |           |           |          |          |           |
| 000206    | 11       | 11       |           | 000726    | 3        | 15       |           | 009526    | 14       | 23       |           |
| 000234    | 20       | 25       |           | 000740    | 11       | 15       |           | 009604    | 14       | 14       |           |
| 000278    | 11       | 51       |           | 000740    | 12       | 2        |           | 009736    | 19       | 28       |           |
| 000304    | 19       | 10       |           | 000740    | 15       | 44       |           | 009744    | 2        | 9        |           |
| 000309    | 9        | 21       |           | 000779    | 7        | 3        |           | 009747    | 11       | 57       |           |
| 000327    | 10       | 22       |           | 000989    | 8        | 2        |           | 009748    | 1        | 8        |           |
| 000327    | 21       | 7        |           | 001093    | 7        | 16       |           | 009748    | 2        | 2        |           |
| 000327    | 22       | 7        |           | 001093    | 9        | 37       |           | 009750    | 9        | 29       |           |
| 000327    | 23       | 10       |           | 001107    | 6        | 18       |           | 009751    | 13       | 10       |           |
| 000360    | 4        | 47       |           | 001107    | 16       | 41       |           | 009752    | 1        | 16       |           |
| 000397    | 5        | 51       |           | 001123    | 15       | 46       |           | 009779    | 2        | 7        |           |
| 000397    | 17       | 2        |           | 001170    | 10       | 64       |           | 009779    | 11       | 66       |           |
| 000419    | 20       | 2        |           | 001228    | 9        | 13       |           | 009784    | 13       | 2        |           |
| 000425    | 20       | 24       |           | 001459    | 7        | 20       |           | 009858    | 24       | 37       |           |
| 000426    | 13       | 29       |           | 001818    | 4        | 44       |           | 009977    | 12       | 27       |           |
| 000445    | 10       | 2        |           | 001900    | 9        | 8        |           | 009995    | 1        | 25       |           |
| 000463    | 7        | 35       |           |           |          |          |           |           |          |          |           |
| 000463    | 20       | 27       |           | 003302    | 21       | 8        |           | 0010017   | 20       | 36       |           |
| 000487    | 10       | 43       |           | 003302    | 22       | 8        |           | 0010018   | 20       | 35       |           |
| 000505    | 16       | 30       |           | 003312    | 4        | 36       |           | 0010019   | 20       | 39       |           |
| 000528    | 14       | 8        |           | 003657    | 17       | 13       |           | 0010258   | 20       | 38       |           |
| 000528    | 24       | 31       |           |           |          |          |           |           |          |          |           |
| 000531    | 23       | 4        |           | 004127    | 7        | 31       |           | 0020051   | 5        | 40       |           |
| 000533    | 21       | 23       |           | 004127    | 7        | 33       |           | 0020052   | 2        | 19       |           |
| 000533    | 22       | 24       |           | 004182    | 22       | 18       |           | 0020064   | 24       | 39       |           |
| 000535    | 7        | 40       |           | 004272    | 11       | 40       |           | 0020119   | 4        | 26       |           |
| 000538    | 3        | 16       |           | 004358    | 9        | 2        |           | 0020137   | 1        | 28       |           |
| 000538    | 4        | 24       |           | 004440    | 15       | 36       |           | 0020271   | 10       | 13       |           |
| 000538    | 4        | 37       |           |           |          |          |           | 0020350   | 16       | 34       |           |
| 000538    | 10       | 41       |           | 005049    | 16       | 37       |           | 0020538   | 13       | 25       |           |
| 000541    | 24       | 45       |           | 005071    | 15       | 33       |           | 0020759   | 1        | 5        |           |
| 000555    | 8        | 23       |           | 005075    | 1        | 29       |           |           |          |          |           |
| 000561    | 16       | 33       |           | 005341    | 9        | 33       |           | 0021735   | 4        | 21       |           |
| 000567    | 20       | 3        |           | 005431    | 4        | 34       |           |           |          |          |           |
| 000600    | 8        | 24       |           | 005650    | 10       | 36       |           | 0024083   | 4        | 2        |           |
| 000600    | 16       | 36       |           | 005650    | 11       | 45       |           | 0024084   | 4        | 1        |           |
| 000623    | 20       | 42       |           |           |          |          |           |           |          |          |           |
| 000636    | 6        | 21       |           | 006202    | 13       | 17       |           | 0026081   | 12       | 22       |           |

# INDEX

VES2700-8

Page = 2

| Parts No. | Page No. | Ref. No. | Weight(g) | Parts No. | Page No. | Ref. No. | Weight(g) | Parts No. | Page No. | Ref. No. | Weight(g) |
|-----------|----------|----------|-----------|-----------|----------|----------|-----------|-----------|----------|----------|-----------|
| 0026099   | 12       | 18       |           |           |          |          |           | 110002    | 7        | 41       |           |
| 0026413   | 12       | 15       |           | 0068011   | 1        | 4        |           | 110002    | 11       | 61       |           |
|           |          |          |           | 0068181   | 10       | 37       |           | 110004    | 10       | 16       |           |
| 0030255   | 4        | 3        |           | 0068202   | 11       | 34       |           | 110004    | 18       | 23       |           |
| 0030711   | 19       | 21       |           | 0068247   | 4        | 33       |           | 110004    | 21       | 2        |           |
|           |          |          |           | 0068249   | 4        | 35       |           | 110004    | 22       | 2        |           |
| 0031111   | 4        | 7        |           |           |          |          |           | 110004    | 23       | 2        |           |
| 0031831   | 20       | 6        |           | 0077179   | 13       | 13       |           | 110005    | 15       | 13       |           |
|           |          |          |           | 0077270   | 10       | 1        |           | 110007    | 21       | 25       |           |
| 0032425   | 7        | 14       |           |           |          |          |           | 110007    | 22       | 26       |           |
| 0032425   | 9        | 35       |           | 0080393   | 4        | 18       |           | 110007    | 23       | 16       |           |
| 0032426   | 7        | 15       |           |           |          |          |           | 110008    | 7        | 8        |           |
| 0032426   | 9        | 36       |           | 0085710   | 13       | 32       |           | 110009    | 4        | 17       |           |
| 0032518   | 20       | 21       |           |           |          |          |           | 110009    | 6        | 14       |           |
| 0032646   | 14       | 13       |           | 0090068   | 4        | 39       |           | 110009    | 8        | 32       |           |
| 0032684   | 5        | 37       |           | 0090071   | 4        | 5        |           | 110009    | 10       | 40       |           |
| 0032719   | 7        | 19       |           | 0090807   | 4        | 12       |           | 110009    | 14       | 5        |           |
| 0032799   | 16       | 3        |           | 0090812   | 4        | 9        |           | 110009    | 16       | 16       |           |
| 0032952   | 4        | 4        |           | 0090856   | 4        | 11       |           | 110009    | 24       | 46       |           |
|           |          |          |           |           |          |          |           | 110011    | 9        | 24       |           |
| 0033024   | 12       | 20       |           | 0092305   | 8        | 5        |           | 110011    | 13       | 31       |           |
| 0033024   | 17       | 9        |           |           |          |          |           | 110012    | 3        | 11       |           |
|           |          |          |           | 0093089   | 6        | 8        |           | 110012    | 4        | 19       |           |
| 0034293   | 13       | 9        |           | 0093154   | 8        | 40       |           | 110012    | 19       | 25       |           |
|           |          |          |           | 0093186   | 9        | 28       |           | 110012    | 20       | 20       |           |
| 0035813   | 4        | 46       |           | 0093212   | 9        | 17       |           | 110013    | 4        | 14       |           |
|           |          |          |           | 0093303   | 16       | 25       |           | 110013    | 7        | 10       |           |
| 0036175   | 7        | 13       |           | 0093357   | 9        | 6        |           | 110013    | 16       | 48       |           |
| 0036175   | 9        | 34       |           | 0093365   | 9        | 9        |           | 110013    | 19       | 29       |           |
|           |          |          |           | 0093515   | 7        | 39       |           | 110013    | 20       | 13       |           |
| 0037108   | 4        | 45       |           | 0093528   | 4        | 22       |           | 110019    | 15       | 22       |           |
|           |          |          |           | 0093611   | 10       | 10       |           | 110021    | 10       | 53       |           |
| 0060142   | 10       | 8        |           | 0093617   | 20       | 28       |           | 110022    | 17       | 18       |           |
|           |          |          |           | 0093864   | 1        | 9        |           | 110023    | 11       | 25       |           |
| 0063009   | 24       | 29       |           | 0093864   | 2        | 10       |           | 110023    | 12       | 37       |           |
| 0063010   | 24       | 40       |           |           |          |          |           | 110023    | 19       | 15       |           |
| 0063044   | 9        | 3        |           | 0094201   | 3        | 10       |           | 110027    | 19       | 13       |           |
| 0063051   | 14       | 18       |           | 0094390   | 10       | 62       |           | 110027    | 23       | 13       |           |
| 0063053   | 14       | 20       |           |           |          |          |           | 110028    | 24       | 49       |           |
| 0063055   | 5        | 7        |           | 0095027   | 13       | 21       |           | 110031    | 14       | 26       |           |
| 0063056   | 14       | 21       |           | 0095334   | 10       | 63       |           | 110032    | 2        | 30       |           |
| 0063057   | 14       | 22       |           |           |          |          |           | 110035    | 3        | 9        |           |
| 0063074   | 4        | 43       |           | 100002    | 15       | 26       |           | 110035    | 6        | 25       |           |
| 0063515   | 10       | 60       |           | 100003    | 14       | 9        |           | 110035    | 9        | 5        |           |
|           |          |          |           | 100005    | 16       | 32       |           | 110035    | 10       | 5        |           |
| 0065275   | 2        | 18       |           | 100007    | 11       | 41       |           | 110035    | 18       | 24       |           |
| 0065372   | 10       | 3        |           |           |          |          |           | 110036    | 1        | 19       |           |
| 0065389   | 15       | 30       |           | 110001    | 10       | 7        |           | 110036    | 6        | 32       |           |

# INDEX

VES2700-8

Page = 3

| Parts No. | Page No. | Ref. No. | Weight(g) | Parts No. | Page No. | Ref. No. | Weight(g) | Parts No. | Page No. | Ref. No. | Weight(g) |
|-----------|----------|----------|-----------|-----------|----------|----------|-----------|-----------|----------|----------|-----------|
| 110038    | 18       | 28       |           | 120016    | 1        | 31       |           | 160004    | 6        | 17       |           |
| 110038    | 20       | 34       |           | 120018    | 17       | 8        |           | 160004    | 8        | 39       |           |
| 110039    | 15       | 4        |           | 120018    | 18       | 18       |           | 160005    | 6        | 2        |           |
| 110041    | 2        | 27       |           | 120027    | 1        | 7        |           | 160005    | 8        | 3        |           |
| 110041    | 7        | 6        |           | 120047    | 17       | 6        |           | 160006    | 11       | 32       |           |
| 110045    | 1        | 2        |           | 120047    | 18       | 12       |           | 160007    | 6        | 3        |           |
| 110045    | 2        | 15       |           | 120048    | 6        | 37       |           | 160007    | 7        | 26       |           |
| 110045    | 19       | 2        |           | 120049    | 11       | 5        |           | 160007    | 8        | 4        |           |
| 110048    | 1        | 13       |           | 120049    | 12       | 41       |           | 160007    | 11       | 68       |           |
| 110048    | 3        | 12       |           |           |          |          |           | 160007    | 12       | 26       |           |
| 110054    | 7        | 43       |           | 130002    | 9        | 19       |           | 160007    | 14       | 17       |           |
| 110054    | 10       | 14       |           | 130002    | 11       | 7        |           | 160007    | 16       | 2        |           |
| 110054    | 13       | 15       |           | 130003    | 2        | 5        |           | 160009    | 6        | 7        |           |
| 110054    | 19       | 9        |           | 130003    | 4        | 41       |           | 160015    | 7        | 27       |           |
| 110054    | 23       | 3        |           | 130004    | 16       | 29       |           | 160021    | 6        | 6        |           |
| 110060    | 1        | 14       |           | 130011    | 16       | 47       |           | 160021    | 13       | 27       |           |
| 110060    | 6        | 30       |           | 130016    | 10       | 19       |           | 160023    | 8        | 29       |           |
| 110067    | 8        | 42       |           | 130016    | 21       | 4        |           | 160024    | 15       | 8        |           |
| 110076    | 5        | 48       |           | 130016    | 22       | 4        |           | 160029    | 9        | 25       |           |
| 110079    | 2        | 21       |           | 130016    | 23       | 7        |           | 160029    | 15       | 45       |           |
| 110084    | 10       | 21       |           |           |          |          |           | 160030    | 12       | 23       |           |
| 110084    | 21       | 6        |           | 140004    | 11       | 20       |           | 160033    | 21       | 15       |           |
| 110084    | 22       | 6        |           | 140004    | 12       | 33       |           | 160033    | 22       | 15       |           |
| 110084    | 23       | 9        |           |           |          |          |           | 160040    | 15       | 2        |           |
| 110091    | 2        | 24       |           | 150001    | 10       | 12       |           | 160041    | 8        | 43       |           |
| 110092    | 18       | 5        |           |           |          |          |           |           |          |          |           |
| 110094    | 13       | 34       |           | 160000    | 6        | 28       |           | 170001    | 3        | 7        |           |
| 110112    | 9        | 11       |           | 160000    | 11       | 21       |           | 170009    | 10       | 56       |           |
| 110115    | 11       | 62       |           | 160000    | 12       | 30       |           | 170010    | 5        | 43       |           |
| 110135    | 8        | 35       |           | 160000    | 17       | 16       |           | 170010    | 7        | 37       |           |
|           |          |          |           | 160000    | 18       | 2        |           | 170010    | 13       | 18       |           |
| 120001    | 3        | 2        |           | 160001    | 3        | 3        |           | 170038    | 10       | 55       |           |
| 120001    | 8        | 19       |           | 160001    | 6        | 34       |           | 170041    | 10       | 31       |           |
| 120001    | 10       | 58       |           | 160001    | 10       | 34       |           | 170058    | 21       | 10       |           |
| 120001    | 11       | 72       |           | 160001    | 11       | 35       |           | 170058    | 22       | 10       |           |
| 120006    | 10       | 51       |           | 160001    | 12       | 13       |           |           |          |          |           |
| 120007    | 18       | 14       |           | 160001    | 13       | 4        |           | 180005    | 3        | 5        |           |
| 120008    | 17       | 22       |           | 160001    | 15       | 16       |           | 180008    | 24       | 30       |           |
| 120009    | 16       | 18       |           | 160001    | 16       | 45       |           | 180009    | 24       | 43       |           |
| 120010    | 10       | 45       |           | 160001    | 19       | 22       |           | 180012    | 13       | 12       |           |
| 120011    | 15       | 40       |           | 160002    | 16       | 4        |           | 180033    | 11       | 39       |           |
| 120011    | 19       | 23       |           | 160003    | 7        | 23       |           |           |          |          |           |
| 120013    | 7        | 2        |           | 160003    | 8        | 17       |           | 190004    | 16       | 31       |           |
| 120013    | 8        | 21       |           | 160003    | 11       | 3        |           | 190005    | 7        | 4        |           |
| 120013    | 11       | 13       |           | 160003    | 12       | 4        |           | 190077    | 11       | 64       |           |
| 120013    | 12       | 7        |           | 160003    | 13       | 20       |           | 190102    | 4        | 23       |           |
| 120013    | 14       | 11       |           | 160003    | 14       | 3        |           |           |          |          |           |
| 120015    | 8        | 25       |           | 160003    | 15       | 29       |           | 260006    | 10       | 23       |           |

# INDEX

VES2700-8

Page = 4

| Parts No. | Page No. | Ref. No. | Weight(g) | Parts No. | Page No. | Ref. No. | Weight(g) | Parts No. | Page No. | Ref. No. | Weight(g) |
|-----------|----------|----------|-----------|-----------|----------|----------|-----------|-----------|----------|----------|-----------|
| 260006    | 23       | 11       |           |           |          |          |           | 3100087   | 7        | 11       |           |
|           |          |          |           | 350009    | 4        | 32       |           | 3100092   | 5        | 29       |           |
| 290029    | 4        | 8        |           |           |          |          |           | 3100093   | 5        | 30       |           |
|           |          |          |           | 910000    | 24       | 10       |           | 3100100   | 5        | 6        |           |
| 300000    | 11       | 10       |           | 910001    | 24       | 7        |           | 3100103   | 16       | 23       |           |
| 300000    | 15       | 23       |           | 910003    | 24       | 14       |           | 3100104   | 16       | 24       |           |
| 300005    | 10       | 44       |           |           |          |          |           | 3100110   | 10       | 9        |           |
| 300006    | 14       | 6        |           | 911001    | 24       | 6        |           | 3100113   | 2        | 20       |           |
| 300006    | 16       | 15       |           | 911002    | 24       | 5        |           | 3100121   | 6        | 16       |           |
| 300048    | 18       | 22       |           | 911006    | 24       | 9        |           | 3100122   | 6        | 12       |           |
| 300068    | 21       | 14       |           | 911060    | 24       | 19       |           | 3100123   | 6        | 15       |           |
| 300068    | 22       | 14       |           |           |          |          |           | 3100127   | 6        | 13       |           |
| 300100    | 3        | 6        |           | 930052    | 24       | 12       |           | 3100129   | 8        | 7        |           |
| 300100    | 5        | 44       |           | 930053    | 24       | 13       |           | 3100131   | 6        | 10       |           |
| 300100    | 7        | 38       |           | 930055    | 24       | 27       |           | 3100140   | 15       | 32       |           |
| 300500    | 15       | 5        |           |           |          |          |           | 3100141   | 15       | 35       |           |
|           |          |          |           | 2049401   | 1        | 32       |           | 3100142   | 15       | 37       |           |
| 310035    | 11       | 73       |           |           |          |          |           | 3100143   | 15       | 39       |           |
| 310035    | 17       | 3        |           | 2100034   | 5        | 32       |           | 3100144   | 15       | 43       |           |
| 310040    | 8        | 13       |           | 2100137   | 11       | 14       |           | 3100145   | 15       | 42       |           |
| 310047    | 19       | 19       |           | 2100137   | 12       | 3        |           | 3100146   | 15       | 41       |           |
| 310054    | 19       | 18       |           | 2100161   | 7        | 22       |           | 3100147   | 15       | 28       |           |
| 310068    | 11       | 23       |           | 2100176   | 11       | 52       |           | 3100149   | 15       | 31       |           |
| 310068    | 12       | 35       |           | 2100194   | 10       | 48       |           | 3100150   | 15       | 27       |           |
| 310077    | 19       | 11       |           | 2100218   | 8        | 22       |           | 3100151   | 15       | 24       |           |
| 310078    | 17       | 26       |           | 2100218   | 14       | 27       |           | 3100152   | 15       | 10       |           |
| 310094    | 14       | 19       |           | 2100259   | 13       | 8        |           | 3100153   | 15       | 20       |           |
| 310099    | 8        | 41       |           | 2100267   | 10       | 33       |           | 3100155   | 15       | 21       |           |
| 310106    | 5        | 2        |           | 2100288   | 11       | 29       |           | 3100156   | 15       | 9        |           |
| 310132    | 8        | 36       |           | 2100620   | 17       | 15       |           | 3100157   | 15       | 11       |           |
|           |          |          |           |           |          |          |           | 3100158   | 15       | 12       |           |
| 320001    | 20       | 14       |           | 2110361   | 10       | 46       |           | 3100159   | 15       | 15       |           |
| 320008    | 20       | 8        |           |           |          |          |           | 3100160   | 15       | 17       |           |
| 320009    | 20       | 9        |           | 2120082   | 12       | 14       |           | 3100161   | 15       | 19       |           |
|           |          |          |           | 2120083   | 12       | 19       |           | 3100189   | 16       | 8        |           |
| 330000    | 9        | 22       |           |           |          |          |           | 3100190   | 16       | 7        |           |
| 330002    | 15       | 18       |           | 2150112   | 21       | 12       |           | 3100191   | 16       | 10       |           |
| 330007    | 7        | 29       |           | 2150112   | 22       | 12       |           | 3100192   | 16       | 6        |           |
| 330009    | 17       | 4        |           |           |          |          |           | 3100193   | 16       | 11       |           |
| 330009    | 19       | 17       |           | 3100004   | 1        | 26       |           | 3100194   | 16       | 12       |           |
|           |          |          |           | 3100005   | 1        | 27       |           | 3100195   | 16       | 13       |           |
| 340000    | 1        | 30       |           | 3100006   | 5        | 28       |           | 3100196   | 16       | 14       |           |
| 340001    | 15       | 25       |           | 3100008   | 24       | 42       |           | 3100197   | 16       | 17       |           |
| 340003    | 10       | 49       |           | 3100020   | 2        | 3        |           | 3100199   | 16       | 19       |           |
| 340003    | 16       | 22       |           | 3100036   | 24       | 34       |           | 3100200   | 16       | 21       |           |
| 340034    | 1        | 23       |           | 3100060   | 19       | 1        |           | 3100202   | 16       | 20       |           |
| 340035    | 2        | 29       |           | 3100061   | 19       | 3        |           | 3100203   | 16       | 39       |           |
| 340036    | 2        | 28       |           | 3100081   | 4        | 42       |           | 3100204   | 16       | 43       |           |

# INDEX

VES2700-8

Page = 5

| Parts No. | Page No. | Ref. No. | Weight(g) | Parts No. | Page No. | Ref. No. | Weight(g) | Parts No. | Page No. | Ref. No. | Weight(g) |
|-----------|----------|----------|-----------|-----------|----------|----------|-----------|-----------|----------|----------|-----------|
| 3100205   | 15       | 6        |           | 3120068   | 7        | 25       |           | 3150066   | 18       | 15       |           |
| 3100205   | 16       | 42       |           | 3120070   | 6        | 4        |           | 3150067   | 18       | 13       |           |
| 3100206   | 16       | 46       |           | 3120072   | 7        | 17       |           | 3150068   | 16       | 26       |           |
| 3100207   | 1        | 10       |           | 3120073   | 7        | 5        |           | 3150069   | 6        | 11       |           |
| 3100207   | 12       | 28       |           | 3120074   | 7        | 7        |           | 3150072   | 6        | 23       |           |
| 3100207   | 16       | 44       |           | 3120143   | 7        | 42       |           | 3150073   | 6        | 5        |           |
| 3100208   | 16       | 40       |           |           |          |          |           | 3150074   | 6        | 1        |           |
| 3100210   | 16       | 27       |           | 3150004   | 1        | 15       |           | 3150077   | 19       | 12       |           |
| 3100211   | 16       | 38       |           | 3150005   | 7        | 1        |           | 3150078   | 19       | 14       |           |
| 3100217   | 16       | 1        |           | 3150007   | 5        | 15       |           | 3150080   | 6        | 22       |           |
| 3100272   | 5        | 46       |           | 3150008   | 5        | 16       |           | 3150081   | 6        | 24       |           |
| 3100275   | 8        | 10       |           | 3150009   | 5        | 20       |           | 3150082   | 6        | 26       |           |
| 3100283   | 8        | 11       |           | 3150010   | 5        | 21       |           | 3150083   | 6        | 27       |           |
| 3100305   | 14       | 16       |           | 3150011   | 5        | 25       |           | 3150086   | 6        | 33       |           |
| 3100307   | 14       | 24       |           | 3150012   | 5        | 19       |           | 3150088   | 6        | 35       |           |
| 3100309   | 14       | 7        |           | 3150013   | 5        | 18       |           | 3150089   | 6        | 29       |           |
| 3100310   | 10       | 11       |           | 3150014   | 5        | 23       |           | 3150095   | 2        | 22       |           |
| 3100329   | 19       | 5        |           | 3150015   | 5        | 24       |           | 3150096   | 2        | 25       |           |
| 3100330   | 19       | 26       |           | 3150016   | 5        | 22       |           | 3150097   | 2        | 23       |           |
| 3100331   | 20       | 7        |           | 3150017   | 5        | 27       |           | 3150098   | 18       | 25       |           |
| 3100332   | 20       | 18       |           | 3150018   | 5        | 26       |           | 3150099   | 1        | 20       |           |
| 3100334   | 20       | 12       |           | 3150019   | 5        | 17       |           | 3150100   | 1        | 21       |           |
| 3100338   | 9        | 30       |           | 3150020   | 5        | 31       |           | 3150101   | 1        | 22       |           |
| 3100343   | 20       | 11       |           | 3150022   | 17       | 11       |           | 3150102   | 2        | 8        |           |
| 3100345   | 19       | 4        |           | 3150024   | 17       | 12       |           | 3150103   | 2        | 1        |           |
| 3100349   | 20       | 1        |           | 3150025   | 17       | 14       |           | 3150105   | 2        | 6        |           |
| 3100355   | 15       | 34       |           | 3150027   | 17       | 17       |           | 3150106   | 2        | 12       |           |
| 3100356   | 20       | 4        |           | 3150028   | 17       | 19       |           | 3150109   | 4        | 15       |           |
| 3100370   | 20       | 5        |           | 3150030   | 17       | 5        |           | 3150111   | 3        | 13       |           |
| 3100371   | 20       | 17       |           | 3150031   | 17       | 10       |           | 3150114   | 3        | 4        |           |
| 3100384   | 4        | 29       |           | 3150032   | 17       | 7        |           | 3150116   | 3        | 1        |           |
| 3100386   | 4        | 30       |           | 3150034   | 17       | 1        |           | 3150119   | 1        | 24       |           |
| 3100390   | 20       | 10       |           | 3150040   | 16       | 5        |           | 3150120   | 7        | 32       |           |
| 3100533   | 10       | 57       |           | 3150041   | 17       | 24       |           | 3150122   | 7        | 9        |           |
|           |          |          |           | 3150043   | 17       | 25       |           | 3150123   | 2        | 31       |           |
| 3107303   | 10       | 17       |           | 3150045   | 17       | 23       |           | 3150129   | 2        | 11       |           |
| 3107303   | 21       | 3        |           | 3150047   | 17       | 21       |           | 3150134   | 7        | 30       |           |
| 3107303   | 22       | 3        |           | 3150048   | 17       | 20       |           | 3150135   | 7        | 34       |           |
| 3107303   | 23       | 5        |           | 3150051   | 18       | 1        |           | 3150136   | 7        | 36       |           |
| 3107304   | 10       | 18       |           | 3150052   | 18       | 3        |           | 3150138   | 19       | 6        |           |
| 3107304   | 23       | 6        |           | 3150053   | 18       | 4        |           | 3150139   | 24       | 48       |           |
| 3107306   | 10       | 20       |           | 3150054   | 18       | 6        |           | 3150141   | 1        | 18       |           |
| 3107306   | 23       | 8        |           | 3150055   | 18       | 21       |           | 3150142   | 19       | 8        |           |
|           |          |          |           | 3150056   | 18       | 20       |           | 3150143   | 19       | 20       |           |
| 3109300   | 15       | 1        |           | 3150057   | 18       | 19       |           | 3150153   | 7        | 28       |           |
|           |          |          |           | 3150059   | 18       | 26       |           | 3150154   | 19       | 16       |           |
| 3120060   | 7        | 21       |           | 3150060   | 15       | 7        |           | 3150155   | 19       | 24       |           |
| 3120061   | 7        | 24       |           | 3150062   | 18       | 10       |           | 3150156   | 19       | 7        |           |

# INDEX

VES2700-8

Page = 6

| Parts No. | Page No. | Ref. No. | Weight(g) | Parts No. | Page No. | Ref. No. | Weight(g) | Parts No. | Page No. | Ref. No. | Weight(g) |
|-----------|----------|----------|-----------|-----------|----------|----------|-----------|-----------|----------|----------|-----------|
| 3150157   | 16       | 28       |           | 3160050   | 12       | 40       |           | 3160191   | 9        | 32       |           |
| 3150159   | 20       | 41       |           | 3160051   | 12       | 9        |           |           |          |          |           |
| 3150163   | 1        | 17       |           | 3160052   | 12       | 43       |           | 3167029   | 23       | 1        |           |
| 3150165   | 21       | 21       |           | 3160054   | 12       | 42       |           | 3167040   | 23       | 12       |           |
| 3150165   | 22       | 22       |           | 3160056   | 12       | 5        |           | 3167041   | 23       | 19       |           |
| 3150170   | 15       | 3        |           | 3160057   | 12       | 6        |           | 3167054   | 10       | 15       |           |
| 3150181   | 2        | 26       |           | 3160058   | 12       | 8        |           | 3167057   | 10       | 24       |           |
| 3150183   | 6        | 20       |           | 3160060   | 12       | 44       |           | 3167058   | 10       | 26       |           |
| 3150184   | 18       | 7        |           | 3160061   | 12       | 16       |           |           |          |          |           |
| 3150186   | 18       | 9        |           | 3160062   | 12       | 17       |           | 3180035   | 2        | 4        |           |
| 3150187   | 18       | 8        |           | 3160063   | 12       | 21       |           | 3180070   | 8        | 30       |           |
| 3150189   | 19       | 27       |           | 3160064   | 12       | 12       |           | 3180071   | 4        | 28       |           |
|           |          |          |           | 3160065   | 12       | 29       |           | 3180072   | 4        | 31       |           |
| 3155010   | 21       | 24       |           | 3160066   | 12       | 31       |           | 3180073   | 4        | 40       |           |
| 3155010   | 22       | 25       |           | 3160070   | 12       | 25       |           | 3180075   | 8        | 31       |           |
|           |          |          |           | 3160071   | 12       | 24       |           | 3180076   | 4        | 16       |           |
| 3158060   | 21       | 16       |           | 3160073   | 13       | 19       |           |           |          |          |           |
| 3158082   | 23       | 17       |           | 3160074   | 13       | 23       |           | 3200086   | 11       | 38       |           |
| 3158094   | 9        | 10       |           | 3160076   | 13       | 24       |           | 3200112   | 9        | 16       |           |
| 3158150   | 22       | 16       |           | 3160077   | 7        | 45       |           | 3200242   | 24       | 44       |           |
|           |          |          |           | 3160077   | 13       | 22       |           | 3204021   | 5        | 5        |           |
| 3159012   | 23       | 18       |           | 3160080   | 13       | 26       |           |           |          |          |           |
| 3159019   | 18       | 27       |           | 3160081   | 13       | 30       |           | 3240015   | 9        | 26       |           |
| 3159037   | 18       | 17       |           | 3160082   | 13       | 28       |           | 3240016   | 9        | 27       |           |
| 3159040   | 21       | 19       |           | 3160084   | 13       | 16       |           | 3240026   | 10       | 6        |           |
| 3159043   | 18       | 11       |           | 3160085   | 13       | 1        |           | 3240086   | 13       | 14       |           |
| 3159061   | 22       | 20       |           | 3160086   | 13       | 3        |           | 3240087   | 13       | 6        |           |
| 3159200   | 6        | 36       |           | 3160088   | 13       | 7        |           | 3240091   | 13       | 5        |           |
| 3159201   | 6        | 31       |           | 3160090   | 10       | 29       |           |           |          |          |           |
| 3159205   | 21       | 20       |           | 3160091   | 10       | 39       |           | 3247022   | 21       | 5        |           |
| 3159205   | 22       | 21       |           | 3160092   | 11       | 36       |           | 3247022   | 22       | 5        |           |
|           |          |          |           | 3160098   | 11       | 24       |           |           |          |          |           |
| 3160008   | 2        | 13       |           | 3160098   | 12       | 36       |           | 3260010   | 6        | 9        |           |
| 3160009   | 2        | 14       |           | 3160103   | 11       | 37       |           | 3260011   | 8        | 9        |           |
| 3160022   | 5        | 33       |           | 3160104   | 11       | 33       |           |           |          |          |           |
| 3160023   | 5        | 34       |           | 3160109   | 11       | 71       |           | 3270015   | 9        | 1        |           |
| 3160024   | 5        | 35       |           | 3160114   | 11       | 55       |           | 3270023   | 20       | 16       |           |
| 3160025   | 5        | 38       |           | 3160116   | 11       | 59       |           |           |          |          |           |
| 3160026   | 5        | 39       |           | 3160120   | 11       | 54       |           | 3500012   | 2        | 16       |           |
| 3160027   | 5        | 36       |           | 3160124   | 11       | 46       |           | 3500041   | 5        | 13       |           |
| 3160034   | 11       | 2        |           | 3160138   | 14       | 12       |           | 3500044   | 5        | 9        |           |
| 3160036   | 11       | 12       |           | 3160151   | 20       | 37       |           | 3500045   | 5        | 10       |           |
| 3160037   | 11       | 16       |           | 3160152   | 20       | 29       |           | 3500046   | 5        | 14       |           |
| 3160038   | 11       | 18       |           | 3160153   | 20       | 33       |           | 3500047   | 5        | 11       |           |
| 3160038   | 12       | 10       |           | 3160158   | 5        | 4        |           | 3500048   | 5        | 12       |           |
| 3160039   | 11       | 17       |           | 3160163   | 10       | 4        |           | 3500050   | 5        | 8        |           |
| 3160039   | 12       | 11       |           | 3160173   | 12       | 1        |           | 3500051   | 8        | 1        |           |
| 3160049   | 12       | 39       |           | 3160190   | 9        | 31       |           | 3500054   | 8        | 6        |           |

# INDEX

VES2700-8

Page = 7

| Parts No. | Page No. | Ref. No. | Weight(g) | Parts No. | Page No. | Ref. No. | Weight(g) | Parts No. | Page No. | Ref. No. | Weight(g) |
|-----------|----------|----------|-----------|-----------|----------|----------|-----------|-----------|----------|----------|-----------|
| 3500062   | 8        | 37       |           | 3510018   | 11       | 4        |           | 3517038   | 22       | 9-3      |           |
| 3500064   | 8        | 38       |           | 3510020   | 11       | 27       |           | 3517039   | 21       | 9-1      |           |
| 3500065   | 8        | 26       |           | 3510021   | 11       | 28       |           | 3517039   | 22       | 9-1      |           |
| 3500066   | 8        | 20       |           | 3510022   | 11       | 30       |           |           |          |          |           |
| 3500081   | 14       | 1        |           | 3510023   | 12       | 32       |           | 3519010   | 21       | 17       |           |
| 3500082   | 14       | 2        |           | 3510024   | 11       | 31       |           | 3519010   | 22       | 19       |           |
| 3500084   | 14       | 4        |           | 3510025   | 8        | 14       |           | 3519012   | 11       | 65       |           |
| 3500086   | 14       | 10       |           | 3510027   | 11       | 8        |           |           |          |          |           |
| 3500091   | 9        | 15       |           | 3510028   | 11       | 9        |           | 3520010   | 20       | 40       |           |
| 3500096   | 5        | 50       |           | 3510029   | 11       | 6        |           | 3520011   | 20       | 15       |           |
| 3500097   | 14       | 28       |           | 3510030   | 11       | 47       |           | 3520012   | 9        | 12       |           |
| 3500100   | 9        | 4        |           | 3510031   | 11       | 48       |           | 3520013   | 9        | 14       |           |
| 3500201   | 1        | 1        |           | 3510032   | 11       | 49       |           | 3520020   | 23       | 15       |           |
| 3500284   | 4        | 25       |           | 3510033   | 11       | 53       |           | 3520021   | 23       | 14       |           |
| 3500285   | 4        | 27       |           | 3510034   | 11       | 50       |           |           |          |          |           |
| 3500286   | 4        | 13       |           | 3510035   | 11       | 63       |           | 4109403   | 3        | 14       |           |
| 3500287   | 4        | 10       |           | 3510037   | 11       | 26       |           |           |          |          |           |
| 3500291   | 10       | 42       |           | 3510037   | 12       | 38       |           | 9620631   | 24       | 2        |           |
| 3500292   | 10       | 59       |           | 3510038   | 11       | 19       |           | 9620666   | 24       | 22       |           |
| 3500293   | 10       | 35       |           | 3510039   | 11       | 22       |           | 9620670   | 24       | 3        |           |
| 3500294   | 10       | 38       |           | 3510039   | 12       | 34       |           | 9620673   | 24       | 8        |           |
| 3500295   | 10       | 50       |           | 3510040   | 11       | 56       |           | 9620675   | 24       | 11       |           |
| 3500299   | 10       | 54       |           | 3510041   | 11       | 58       |           | 9620678   | 24       | 23       |           |
| 3500300   | 10       | 32       |           | 3510043   | 11       | 69       |           | 9620679   | 24       | 24       |           |
| 3500305   | 10       | 47       |           | 3510044   | 11       | 70       |           | 9620680   | 24       | 25       |           |
| 3500309   | 5        | 1        |           | 3510045   | 8        | 8        |           | 9620681   | 24       | 26       |           |
| 3500402   | 20       | 22       |           | 3510050   | 5        | 41       |           | 9620688   | 24       | 18       |           |
| 3500412   | 20       | 19       |           | 3510051   | 5        | 42       |           | 9620689   | 24       | 4        |           |
| 3500430   | 1        | 3        |           | 3510052   | 5        | 47       |           | 9620690   | 24       | 21       |           |
| 3500442   | 8        | 34       |           | 3510055   | 13       | 33       |           | 9620691   | 24       | 20       |           |
| 3500444   | 8        | 15       |           | 3510057   | 11       | 60       |           | 9620696   | 24       | 1        |           |
| 3500445   | 8        | 16       |           | 3510059   | 11       | 43       |           | 9620700   | 24       | 17       |           |
| 3500446   | 8        | 18       |           | 3510060   | 11       | 44       |           | 9620703   | 24       | 16       |           |
| 3500448   | 8        | 12       |           | 3510062   | 11       | 42       |           |           |          |          |           |
| 3500489   | 4        | 20       |           | 3510063   | 10       | 30       |           |           |          |          |           |
| 3500492   | 8        | 27       |           | 3510065   | 20       | 31       |           |           |          |          |           |
| 3500615   | 9        | 23       |           | 3510067   | 20       | 30       |           |           |          |          |           |
| 3500616   | 9        | 20       |           | 3510068   | 20       | 32       |           |           |          |          |           |
| 3500617   | 9        | 18       |           |           |          |          |           |           |          |          |           |
|           |          |          |           | 3517003   | 21       | 1        |           |           |          |          |           |
| 3508155   | 22       | 17       |           | 3517003   | 22       | 1        |           |           |          |          |           |
|           |          |          |           | 3517031   | 21       | 11       |           |           |          |          |           |
| 3509320   | 14       | 25       |           | 3517031   | 22       | 11       |           |           |          |          |           |
|           |          |          |           | 3517032   | 21       | 13       |           |           |          |          |           |
| 3510008   | 1        | 6        |           | 3517032   | 22       | 13       |           |           |          |          |           |
| 3510011   | 1        | 11       |           | 3517037   | 21       | 9-2      |           |           |          |          |           |
| 3510012   | 1        | 12       |           | 3517037   | 22       | 9-2      |           |           |          |          |           |
| 3510017   | 11       | 1        |           | 3517038   | 21       | 9-3      |           |           |          |          |           |





***Yamato***

ヤマトマシン製造株式会社

***YAMATO SEWING MACHINE MFG. CO., LTD.***

4-4-12, NISHITENMA, KITA-KU, OSAKA, JAPAN  
TEL : 81-6-6364-1321 FAX : 81-6-6364-1307

〒530-0047 大阪市北区西天満4丁目4番12号  
TEL(06)6364-1321(代) FAX(06)6365-5176